

SHOP LIGHTER

RECTANGULAR GIMBAL LED SHOP DOWNLIGHTS

3 YEAR WARRANTY

PRODUCT FEATURES

- Input voltage: SHOP4A,6A: 220-240V AC 50/60Hz
SHOP7A,8A: 110-265V AC 50/60Hz
- Output voltage: 25-42V DC 900mA
- Wattage: 38W & 40W
- Power factor: ≥ 0.9
- SMD2835 LED chips
- Material: aluminium
- Adjustable angle: 85°
- CRI: >80
- No UV and no infrared
- Ambient Temp: SHOP4A-6A: -20 to 50°C
SHOP7A-8A: -20 to 45°C
- Not suitable for dimming
- Suitable for 2-way switching
- Suitable for use with microwave & PIR sensors

LIFE TIME
50,000
HOURS

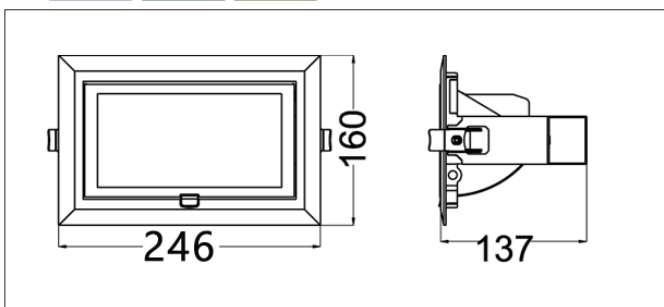
BEAM
120°

WARRANTY
3 YEARS
REPLACEMENT

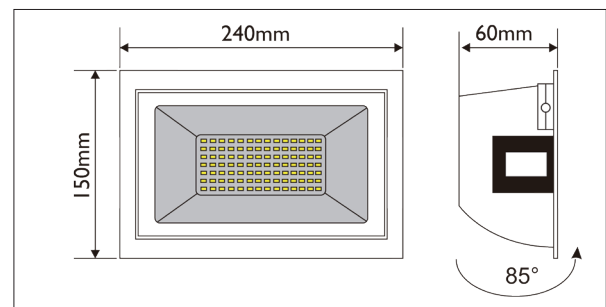


APPLICATIONS

Suitable for use in museums, supermarkets, shopping malls and hotels.



SHOP4A, 6A



SHOP7A, 8A

CODE	DESCRIPTION	TECHNICAL DATA				DIMENSIONS		PACKAGE		CARTON QTY
		KELVIN	LUMENS	WATT	IP	SIZE (mm)	CUTOUT (mm)	WEIGHT (kg)	BOX (cm)	
SHOP4A	D/L LED SHOP GIMBAL WH RECT 3000K 38W	3000K	3460	38	IP20	246x160x137	230x135	1.96	29x19x18	8
SHOP6A	D/L LED SHOP GIMBAL WH RECT 5000K 38W	5000K	3780	38	IP20	246x160x137	230x135	2.0	29x20x18	8
SHOP7A	D/L LED SHOP GIMBAL WH RECT 4000K 40W	4000K	3496	40	IP40	240x150x60	230x127	2.0	29x12x18	8
SHOP8A	D/L LED SHOP GIMBAL WH RECT 5000K 40W	5000K	3601	40	IP40	240x150x60	230x127	2.0	29x12x20	8

UPDATED ON 13/12/2017

Tel: (02) 9938 7100 | Fax: (02) 9938 7115 | Email: sales@clalighting.com.au

Website: www.clalighting.com.au

Follow us: facebook.com/CLALighting

CLA LIGHTING