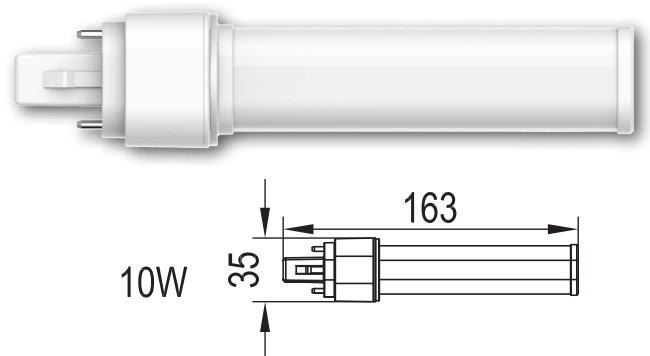


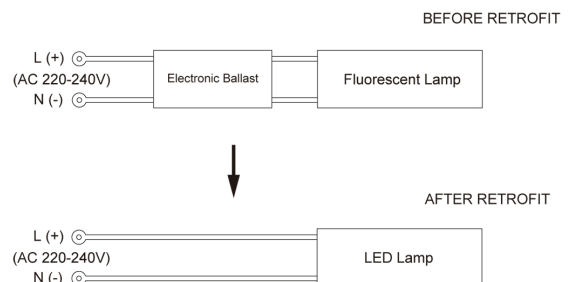
LED PLC GLOBES



| | |
|------------------------------------|---------------|
| CLA CODE | PLC001 |
| Lamp Base | G24d (2 pin) |
| Nominal Wattage | 10W |
| Input Voltage | 220-250V AC |
| Colour Temperature (Kelvin) | 4000K |
| Lumens | 900LM |
| Luminous Efficiency | 90LM/W |
| LED Chip Brand | San'an |
| LED Chip Type | SMD5630 |
| LED QTY | 34PCS |
| Beam Angle | 130° |
| Nominal Current | 120mA |
| Ambient Temperature | -20 to 45°C |
| Life Time | 25,000hrs |
| Power Factor | >0.9 |
| CRI | 80 |
| Dimmable | No |
| IP Rating | IP20 |
| Over Length | 163mm |
| Maximum Diameter | Ø35mm |
| Carton QTY | 1/50 |



- To be used with magnetic ballast only (2 pin)
- When retrofitting luminaire with electronic ballast, bypass the electronic ballast and rewire the circuit as per the 2nd wiring example shown below.
- 2 year replacement warranty



Brochure updated on 08.12.2016

