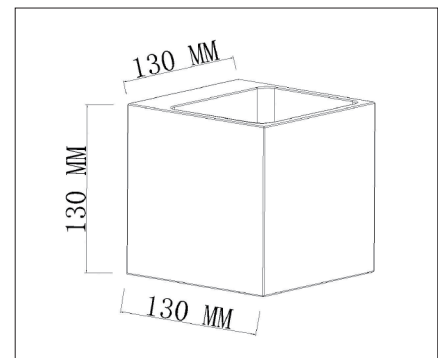


## CUBO7

### LED Surface Mounted Exterior Wall Light

- Input voltage: 220-240V AC 50/60Hz
- Internal driver input current: 0.11A
- Internal driver output current: 500mA
- **Material: Natural Alabaster**
- Die cast aluminium backplate with SS clips
- Frosted glass diffuser
- Wattage: 5W
- Power factor:  $\geq 0.35$
- 1pc CREE COB LED chip
- CRI: 80
- Not suitable for dimming



Back plate

PART NO.	DESCRIPTIONS	KELVIN (K)	LUMENS (LM)	CRI	WATT	WEIGHT (KG)	BOX (cm)	CARTON QTY
CUBO7	WALL LED 240V S/M NATURAL ALABASTER Sq Up/Dn	3000	500	80	5	2.10	20x17.5x17.5	6

UPDATED ON 20.02.2018

Tel: (02) 9938 7100 | Fax: (02) 9938 7115 | Email: sales@clalighting.com.au

Website: www.clalighting.com.au

Follow us: facebook.com/CLALighting