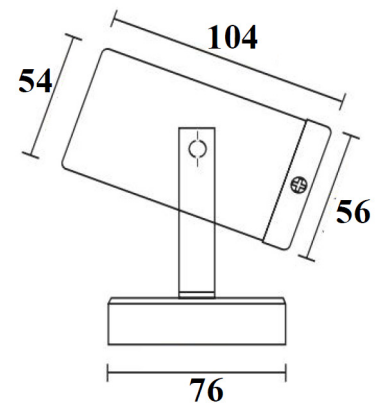
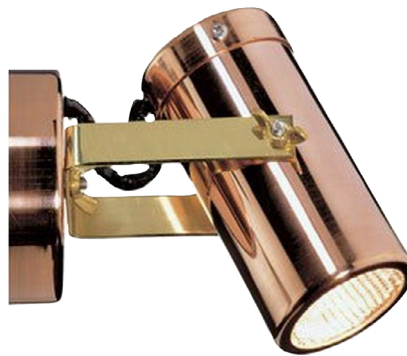




SM1ACEC

- Input voltage: 12V -25V
- Wattage: 20W
- Lamp base: MR16
- Material: Solid copper
- Anti-glare honey comb louvre
- Globes are not included



SG1ACEC

- Input voltage: 240V
- Wattage: 35W
- Lamp base: GU10
- Material: Solid copper
- Anti-glare honey comb louvre
- Globes are not included
- Recommended globes: GU1001& GU1002

**IP
54**

**2 YEARS
WARRANTY**

CODE	DESCRIPTION	TECHNICAL DATA		
		COLOUR	LAMP QTY	CARTON QTY
SM1ACEC	SINGLE ADJUSTABLE HEAD	COPPER	1 X MR16	1/20
SG1ACEC	SINGLE ADJUSTABLE HEAD	COPPER	1 X GU10	1/20
CODE	DESCRIPTION	LUMENS	WATT	CRI
GU1001	6W GU10 LED 3000K	470LM	6W	≥80
GU1002	6W GU10 LED 5000K	485LM	6W	≥80

UPDATED ON 01.09.2017