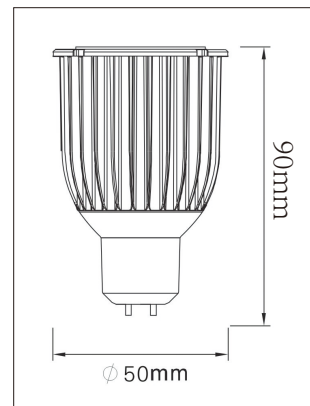


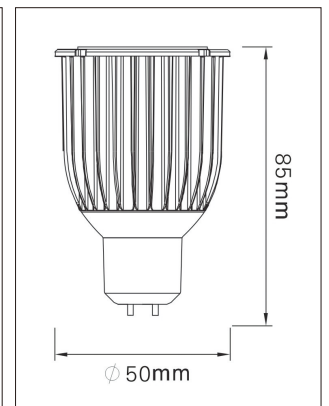


PRODUCT FEATURES

- Input voltage: 240V AC 50-60Hz
- Wattage: 6W(non-dimmable) & 8W(dimmmable)
- 1pc COB LED chip
- Life time: 30,000hrs
- Operating temperature: -20 to 50°C
- UV/IR free
- Mercury free
- Dimmable and non-dimmable models are available
- 3 year replacement warranty
- Carton QTY: 1/100



non-dimmable models



dimmable models

CODE	DESCRIPTION	KELVIN	LUMENS	BEAM	CRI	WATT	LENGTH	DIAM.
CLAL964A NEW	1PC LED 6W GU10 WW	3000K	470lm	50°	80	6	90mm	50mm
CLAL963A NEW	1PC LED 6W GU10 NW	5000K	500lm	50°	80	6	90mm	50mm
CLAL964D	1PC LED 8W GU10 WW DIMMABLE	3000K	400lm	50°	80	8	85mm	50mm
CLAL963D	1PC LED 8W GU10 NW DIMMABLE	5000K	420lm	50°	80	8	85mm	50mm

UPDATED ON 21/07/2015

