



WASH S9681 - 8/13W

Rotable 355 degree, LED wall washer downlight

Application

Ideal for any retail or commercial interior space

Design Specifications

- Multifunction design of either a downlight or a wall washer, 8 or 13 watt models
- Durable die-cast aluminium body profile
- Stylish powder coat finish in white
- Optimum tilting function 35° and rotating 355°
- High output COB LED chip, (S9681/85) standard beam distribution is 36 degree, optional 24,50. (S9681/115) standard beam distribution is 40 degree, optional 20,30,70.
- Constant current non-dimmable LED driver, with flex and plug.



-  IP20
-  ta25
-  □
-  LIGHT FIXTURE
-  3 YEAR COMMERCIAL WARRANTY
-  5 YEAR RESIDENTIAL WARRANTY
-  COOL WHITE
4000K

Performance

Dimmable - **OPTIONAL**

Dimmer Type - **Trailing edge, 1-10V, DALI / DSI**

Technical Specification

Model No.	Input Voltage (V/AC)	Power (W)	Lumens (lm)	CCT (K)	Beam Angle (°)	CRI
S9681/85CW	240	8	1000	4000	36	80
S9681/115CW	240	13	1500	4000	40	80

Technical Specification

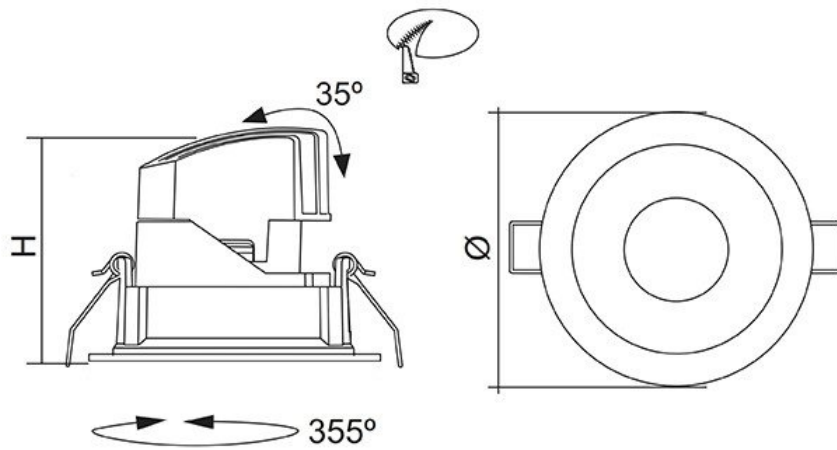
Model No.	Body Colour	Cut Out (mm)	Diameter (mm)	Dim (mm)
S9681/85CW	WHITE	75	85	67(H)
S9681/115CW	WHITE	100	115	100(H)

ACCESSORIES - Honeycomb filter S9681/55HC/P suits S9681/85, S9681/115HC/P suits S9681/115 COLOUR TEMPERATURE - 4000K Cool White (standard), 3000K Warm White (option), 5000K Neutral Daylight (option)

Due to continued product and technology enhancements, data sourced from sal.net.au shall not form part of any contract and or technical performance guarantee unless expressly confirmed in writing by SAL at the time of order. Products are sold in accordance with [SAL Terms and Conditions of sale](#) and all images shown are for illustration purposes only and may vary from the actual colour or finish. Unless specifically stated, all IP ratings nominated for Interior products are from "below the ceiling".

Dimensions

S9681/85 cut-out 75mm, S9681/115 cut-out 100mm

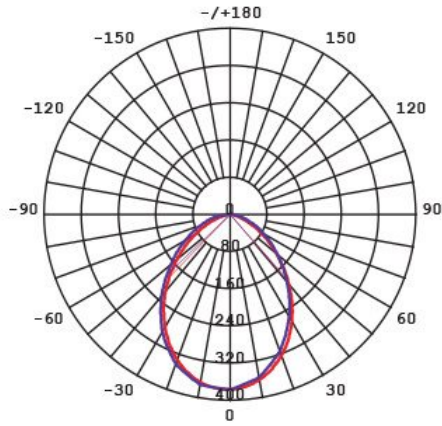




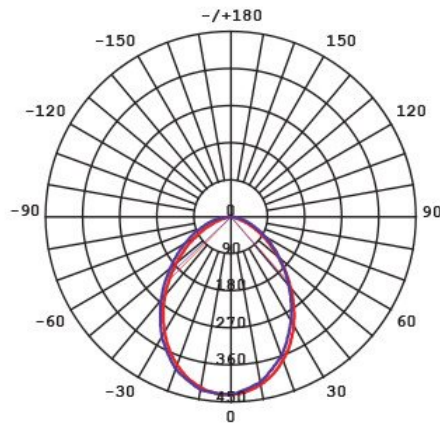
Photometric Data

Unit: cd C0/C180 _____ C90/C270 _____

S9681/85CW at 4000K



S9681/115CW at 4000K



Product Images

