



UNITREK STR3/9017/15TC - 15W

15 watt architectural track spot - Unitrek three circuit with selectable colour temperature

Application

Ideal for decorative interior and retail designs

Design Specifications

- Architectural cylindrical profile, 350 degree rotation
- Robust Polyamide body profile, colour matt white or black
- High efficiency COB LED chip, CRI > 80, selectable CCT 3000/4000/5700K
- Multi-faceted system, standard beam distribution 40 degree
- 15 watt integral dimmable driver



- THREE CIRCUIT
- IP20
- Ra25
- DIMMABLE
- 2 YEAR COMMERCIAL WARRANTY
- 3 YEAR RESIDENTIAL WARRANTY
- WARM WHITE 3000K
- COOL WHITE 4000K
- DAYLIGHT 5700K

Performance

Dimmable - YES

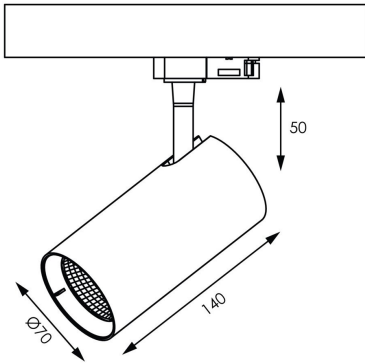
Technical Specification

Model No.	Input Voltage (V/AC)	Power (W)	Lumens (lm)	CCT (K)	Body Colour	CRI
STR3/9017/15TC/BK	240	15	1000/1150/1100	3000/4000/5700	BLACK	80
STR3/9017/15TC/WH	240	15	1000/1150/1100	3000/4000/5700	WHITE	80
STR9017/15RING/BK					BLACK RING INSERT	
STR9017/15RING/WH					WHITE RING INSERT	

Model No.	Beam Angle (°)	Dimmable	Dim (mm)
STR3/9017/15TC/BK	40	YES	70(W) x 140(H)
STR3/9017/15TC/WH	40	YES	70(W) x 140(H)
STR9017/15RING/BK	40		
STR9017/15RING/WH	40		

Due to continued product and technology enhancements, data sourced from sal.net.au shall not form part of any contract and or technical performance guarantee unless expressly confirmed in writing by SAL at the time of order. Products are sold in accordance with [SAL Terms and Conditions of sale](#) and all images shown are for illustration purposes only and may vary from the actual colour or finish. Unless specifically stated, all IP ratings nominated for Interior products are from "below the ceiling".

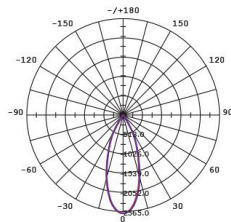
Dimensions



Photometric Data

Unit: cd C0/C180 — C90/C270 —

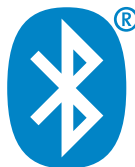
STR3/9017/15W/WW at 3000K



WHO NEEDS AN OLD TIMER CONTROL.

PIXIE SMART GPO IS SMARTER THAN THE REST.

MULTIFUNCTION
CONTROL



For more
information
please
scan me

