



## UNIFIT S9053WP/SFI - 9W

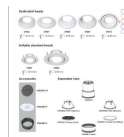
Dimmable 9 watt LED module, with SFI flicker control technology

### Application

Ideal for any residential or commercial interior spaces where nuisance ripple induced flicker is visible

### Design Specifications

- Combined with the SAL SDD400SFI dimmer, the new SFI Unifit series eliminates nuisance ripple induced flicker between 750-1050Hz once and for all, typically found in the QLD and NSW regions.
- High output COB LED chip, warm white 3000K CCT and CRI>80, ideal for residential environments
- Changeable multi-faceted reflector system, 60° standard beam, optional 25° and 40°.
- A comprehensive range of downlight trims available to suit any interior residential lighting design
- Remote constant current SFI trailing edge dimmable LED driver, with smooth dimming performance to 1.0% of light output, designed with flex and plug for easy installation.
- Need more info.....jump to the FAQ's on the SAL web and search SFI.



- 
- 
- 
- 
- 
- 
- 
- 

### Performance

Dimmable - **YES**

Dimmer Type - **dim only with SDD400SFI**

### Technical Specification

Model No.	Input Voltage (V/AC)	Power (W)	Lumens (lm)	CCT (K)	Beam Angle (°)	Dimmable
S9053WP/SFI	240	9	700	3000	60	YES

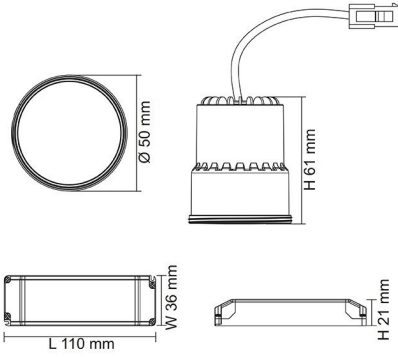
Model No.	CRI	Diameter (mm)	Dim (mm)
S9053WP/SFI	80	50	60(H)

Patent pending

Due to continued product and technology enhancements, data sourced from sal.net.au shall not form part of any contract and or technical performance guarantee unless expressly confirmed in writing by SAL at the time of order. Products are sold in accordance with SAL Terms and Conditions of sale and all images shown are for illustration purposes only and may vary from the actual colour or finish. Unless specifically stated, all IP ratings nominated for Interior products are from "below the ceiling".

## Dimensions

s9053



# THE SFI SYSTEM ELIMINATES LED FLICKERING.

**SIMPLY  
MATCH THE  
ECO GEM SFI  
DOWNLIGHT  
WITH THIS  
SDD400SFI  
DIMMER.**



**DIM with  
FLICKER  
CONTROL**

For related  
products  
please  
scan me

