



## UNIFIT S9053HC - 8W

Dimmable 8 watt LED Module, CRI 90

### Application

Ideal for any residential or commercial interior space

### Design Specifications

- Efficient die-cast aluminium heat sink
- High output COB LED chip, CRI > 90
- Changeable multi-reflector system, standard 60 degree, optional 25 and 40 degree
- Polycarbonate optical lens
- Remote constant current trailing edge dimmable LED driver, fitted with flex and plug for plug and play
- ACCESSORIES - S9053HC/P Honey comb, S9053DF/P Centre frost diffuser, S9053BF/P Buffer



### Performance

Dimmable - **YES**

Dimmer Type - **Trailing edge, optional 1-10V, DALI / DSI**

### Technical Specification

Model No.	Input Voltage (V/AC)	Power (W)	Lumens (lm)	CCT (K)	Beam Angle (°)	Dimmable
S9053HC/WP	240	8	620	3000	60	YES

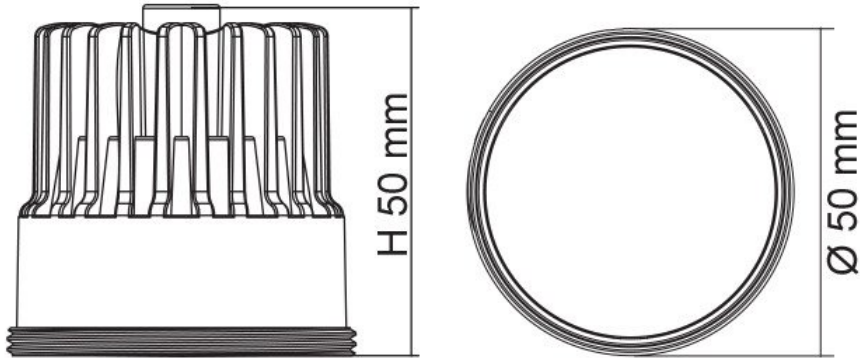
### Technical Specification

Model No.	CRI	Diameter (mm)	Dim (mm)
S9053HC/WP	90	50	50(W) x 50(H)

Due to continued product and technology enhancements, data sourced from sal.net.au shall not form part of any contract and or technical performance guarantee unless expressly confirmed in writing by SAL at the time of order. Products are sold in accordance with [SAL Terms and Conditions of sale](#) and all images shown are for illustration purposes only and may vary from the actual colour or finish. Unless specifically stated, all IP ratings nominated for Interior products are from "below the ceiling".

## Dimensions

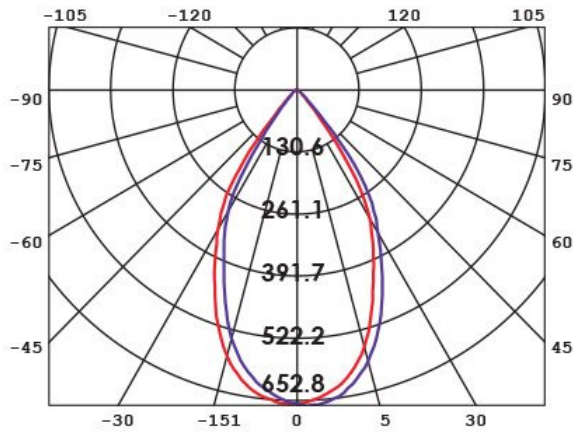
### Dimensions



## Photometric Data

Unit: cd C0/C180 ——— C90/C270 ———

### S9053HC/WP at 3000K





## Product Images

