



UNIFIT S9053/15W/WP - 15W

Dimmable 15 watt LED Module

Application

Ideal for any residential or commercial interior space

Design Specifications

- Efficient die-cast aluminium heat sink
- High output COB LED chip
- Changeable multi-faceted reflector system, 60° standard beam, 25° and 40° optional
- Polycarbonate optical lens
- Remote constant current flickerCONTROLLED, trailing edge dimmable LED driver, fitted with flex and plug for plug and play

Performance

Dimmable - **YES**

Dimmer Type - **Trailing edge, optional 1-10V, DALI / DSI**



-  IP20
-  tau25
-  □
-  ○
-  DIMMABLE
-  100-240V 2-PIN
-  3 YEARS COMMERCIAL WARRANTY
-  5 YEARS RESIDENTIAL WARRANTY
-  WARM WHITE 3000K

Technical Specification

Model No.	Input Voltage (V/AC)	Power (W)	Lumens (lm)	CCT (K)	Beam Angle (°)	Dimmable
S9053/15/WP	240	15	1150	3000	60	YES

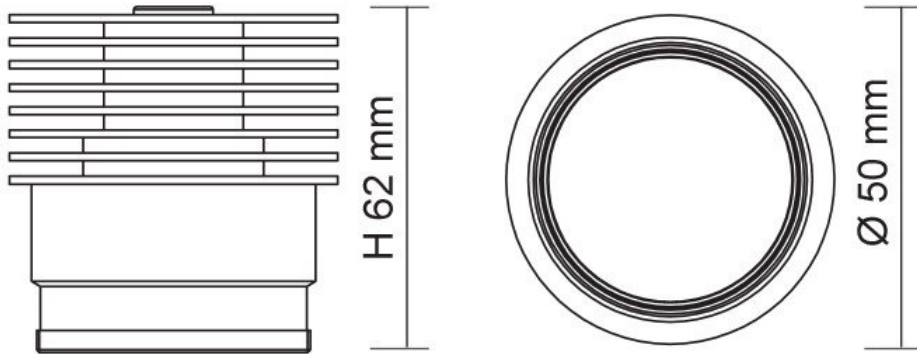
Technical Specification

Model No.	CRI	Diameter (mm)	Dim (mm)
S9053/15/WP	80	50	62(H)

Due to continued product and technology enhancements, data sourced from sal.net.au shall not form part of any contract and or technical performance guarantee unless expressly confirmed in writing by SAL at the time of order. Products are sold in accordance with [SAL Terms and Conditions of sale](#) and all images shown are for illustration purposes only and may vary from the actual colour or finish. Unless specifically stated, all IP ratings nominated for Interior products are from "below the ceiling".



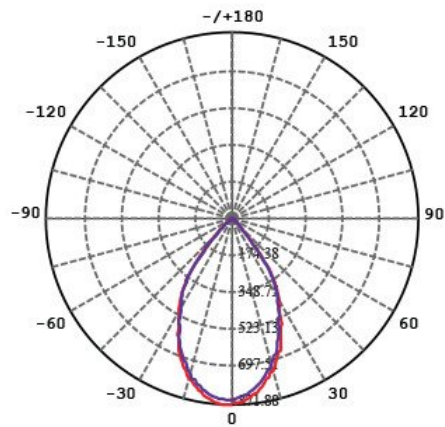
Dimensions



Photometric Data

Unit: cd C0/C180 _____ C90/C270 _____

S9053 WP at 3000K





Product Images

