



UNIFIT S9011TC2 - 10W

Dimmable fixed 10 watt LED downlight, with selectable CCT

Application

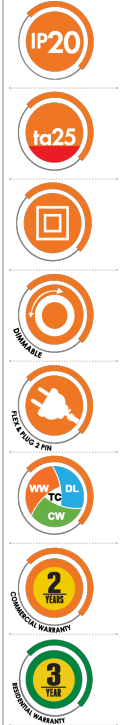
Ideal for any residential or commercial interior space

Design Specifications

- Die cast aluminium body profile
- Stylish white or black powder coat finish
- High output COB LED optics
- Multi-faceted reflector system, 60 degree beam distribution
- Polycarbonate optical lens, CRI>80
- Remote constant current trailing edge dimmable LED driver with flex and plug

Performance

- Dimmable - **YES**
- Dimmer Type - **Trailing edge, optional 1-10V, DALI / DSI**



Technical Specification

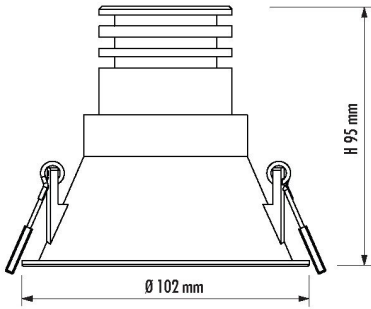
Product	Model No.	Input Voltage (V/AC)	Power (W)	Lumens (lm)	CCT (K)	Beam Angle (°)
	S9011TC2WH	240	10	750/900/850	3000/4000/5700	60
	S9011TC2BK	240	10	750/900/850	3000/4000/5700	60

Dimmable	CRI	Body Colour	Cut Out (mm)	Diameter (mm)	Dim (mm)
YES	80	MATT WHITE	92	102	95(H)
YES	80	MATT BLACK	92	102	95(H)

Due to continued product and technology enhancements, data sourced from sal.net.au shall not form part of any contract and or technical performance guarantee unless expressly confirmed in writing by SAL at the time of order. Products are sold in accordance with [SAL Terms and Conditions of sale](#) and all images shown are for illustration purposes only and may vary from the actual colour or finish. Unless specifically stated, all IP ratings nominated for Interior products are from "below the ceiling".



Dimensions



THE SFI SYSTEM ELIMINATES LED FLICKERING.

**SIMPLY
MATCH THE
ECO GEM SFI
DOWNLIGHT
WITH THIS
SDD400SFI
DIMMER.**



**DIM with
FLICKER
CONTROL**

For related
products
please
scan me

