



UNIFIT S9008TC - 10W

Dimmable fixed 10 watt LED downlight, with selectable colour temperature

Application

Ideal for any residential or commercial interior space

Design Specifications

- Durable die-cast aluminium body profile
- Stylish white powder coat finish
- High output COB LED chip
- Changeable multi-faceted reflector system, 60 degree standard beam distribution, optional 25 and 40 degree.
- Polycarbonate optical lens, optional CRI>90 warm white only (S9008HC/WW), optional 15 watt warm white only
- Remote constant current trailing edge dimmable LED driver

Performance

Dimmable - **YES**

Dimmer Type - **Trailing edge, optional 1-10V, DALI, DSI**



-
-
-
-
-
-
-
-
-
-

Technical Specification

Model No.	Input Voltage (V/AC)	Power (W)	Lumens (lm)	CCT (K)	Beam Angle (°)	Dimmable
S9008TC	240	10	750/900/850	3000/4000/6000	60	YES

Technical Specification

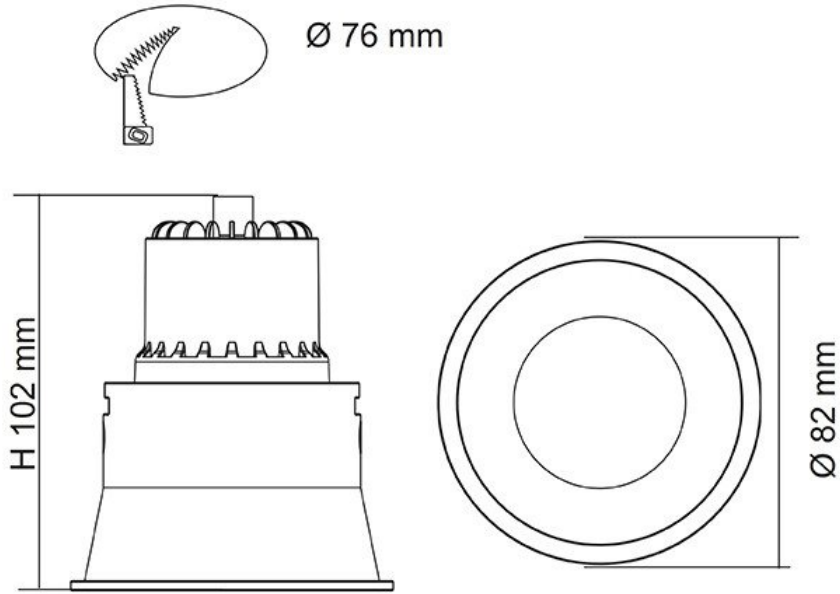
Model No.	CRI	Body Colour	Cut Out (mm)	Diameter (mm)	Dim (mm)
S9008TC	80	matt white	76	82	102(H)

Due to continued product and technology enhancements, data sourced from sal.net.au shall not form part of any contract and or technical performance guarantee unless expressly confirmed in writing by SAL at the time of order. Products are sold in accordance with [SAL Terms and Conditions of sale](#) and all images shown are for illustration purposes only and may vary from the actual colour or finish. Unless specifically stated, all IP ratings nominated for Interior products are from "below the ceiling".



Dimensions

S9008





Photometric Data

Unit: cd C0/C180 _____ C90/C270 _____

S9008TC at 3000K

