



UNI LED S9658 - 50W

Round profile IP54 LED downlights

Application

Ideal for commercial interior spaces such as foyers and office areas

Design Specifications

- Durable die-cast aluminium body profile with a round trim profile
- Stylish white or black powder coat finish
- High output COB LED chip
- Multi-faceted reflector system
- Remote constant current LED driver for easy installation, with flex and plug
- Optional dropped glass accessory



Performance

Dimmable - **OPTIONAL**

Dimmer Type - **1-10V, DALI / DSI**

Technical Specification

Model No.	Description	Input Voltage (V/AC)	Power (W)	Lumens (lm)	CCT (K)	Beam Angle (°)
S9658WW WH	LED D/LIGHT ROUND 50W 3K WH	240	50	4000	3000	90
S9658WW BK	LED D/LIGHT ROUND 50W 3K BK	240	50	4000	3000	90
S9658WW WH RG	LED D/L RND. D/GLASS 50W 3K WH	240	50	4000	3000	90
S9658CW WH	LED D/LIGHT ROUND 50W 4K WH	240	50	4200	4000	90
S9658CW BK	LED D/LIGHT ROUND 50W 4K BK	240	50	4200	4000	90
S9658CW WH RG	LED D/L RND. D/GLASS 50W 4K WH	240	50	4200	4000	90

Technical Specification

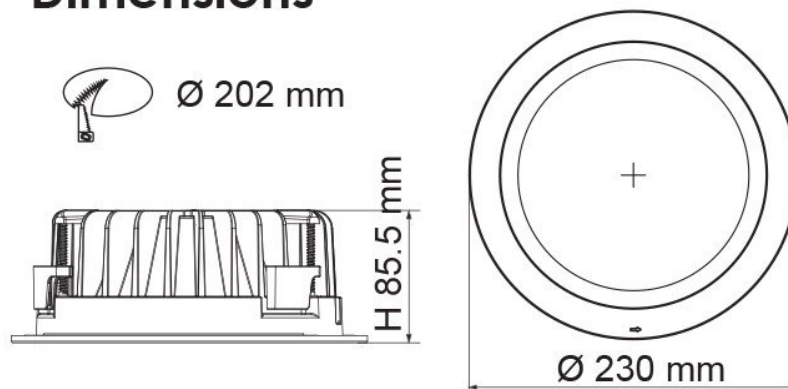
Model No.	Dimmable	CRI	Body Colour	Dim (mm)
S9658WW WH	OPTIONAL	80	WHITE	230(W) x 86(H)
S9658WW BK	OPTIONAL	80	BLACK	230(W) x 86(H)
S9658WW WH RG	OPTIONAL	80	WHITE	230(W) x 86(H)
S9658CW WH	OPTIONAL	80	WHITE	230(W) x 86(H)
S9658CW BK	OPTIONAL	80	BLACK	230(W) x 86(H)
S9658CW WH RG	OPTIONAL	80	WHITE	230(W) x 86(H)

Due to continued product and technology enhancements, data sourced from sal.net.au shall not form part of any contract and or technical performance guarantee unless expressly confirmed in writing by SAL at the time of order. Products are sold in accordance with [SAL Terms and Conditions of sale](#) and all images shown are for illustration purposes only and may vary from the actual colour or finish. Unless specifically stated, all IP ratings nominated for Interior products are from "below the ceiling".

Dimensions



Dimensions

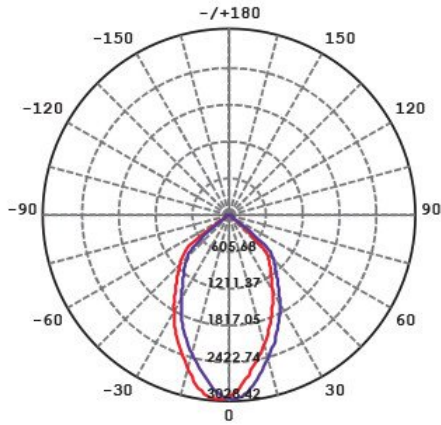




Photometric Data

Unit: cd C0/C180 _____ C90/C270 _____

S9658WW at 3000K



Product Images

