



UFO SHB23MP150TC - 80/120/150

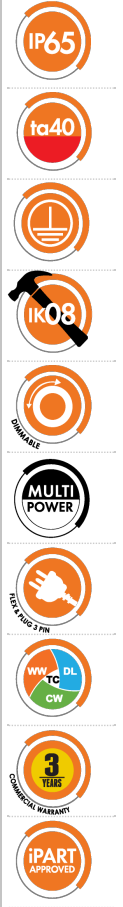
Dimmable, IP65 LED UFO highbay with selectable colour temperature and power.

Application

Super low profile dimmable LED highbay, ideal for commercial or industrial warehouse environments

Design Specifications

- Integral selectable power 80 / 120 or 150 watts
- Integral selectable colour temperature 3000 , 4000 or 5000K
- Robust, low profile die-cast aluminium IP65/IK08 body profile.
- High efficiency SMD LED chips, with an impressive > 145lm/W optical performance at 4000K, CRI > 70, 90 degree beam distribution, polycarbonate lens
- Integral 1-10V dimmable LED driver, complete with flex and plug for easy installation, optional inline DALI signal converter, optional plug and play corridorSTANDBY sensor
- Power/lumen settings at **3000K** : 80W/11400lm, 120W/16000lm, 150W/18800lm, **4000K** : 80W/12400lm, 120W/18000lm, 150W/21800lm, **5000K** : 80W/11800lm, 120W/16500lm, 150W/20000lm.



Performance

Dimmable - **YES**

Dimmer Type - **1-10V, optional SAL DALI signal converter**

Technical Specification

Model No.	Input Voltage (V/AC)	Multiple Wattage	Lumens (lm)	CCT (K)	Beam Angle (°)	CRI
SHB23MP150TC SHB23MP/CS SHB25HES/RC	240	80/120/150	18800/21800/20000	3000/4000/5000	90	80

Model No.	Body Colour	Dim (mm)	Mass (kg)	iPART
SHB23MP150TC SHB23MP/CS SHB25HES/RC	BLACK CORRIDOR SENSOR REMOTE CONTROL	280(W) x 192(H)	2.5	YES

Note: (1) 1-10V dimming does not provide 100% OFF dimming function. (2) lumens (lm) shown are displayed at the 150W **maximum power setting**

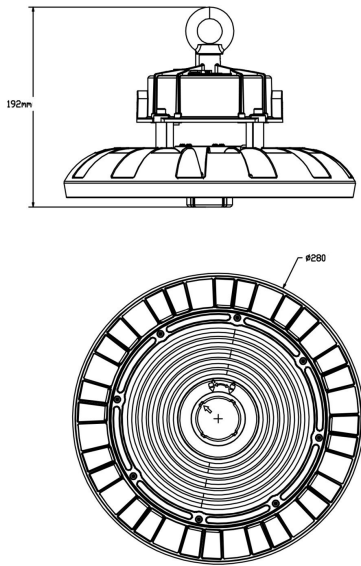
Note (1) : Sensor default settings: Sensitivity=100%, Hold Time=30mins, StandBy power=30%, StandBy time 30mins, Daylight Threshold=disabled

Note (2) : Sensor and dimming functions cannot be operated simultaneously

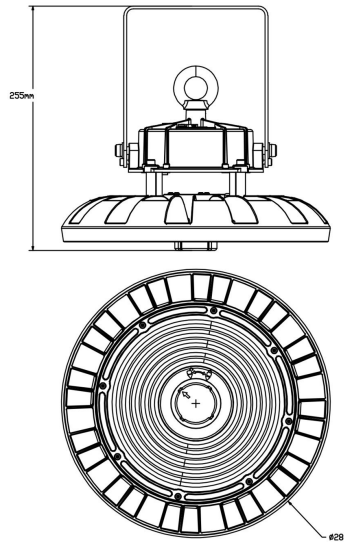
Due to continued product and technology enhancements, data sourced from sal.net.au shall not form part of any contract and or technical performance guarantee unless expressly confirmed in writing by SAL at the time of order. Products are sold in accordance with SAL Terms and Conditions of sale and all images shown are for illustration purposes only and may vary from the actual colour or finish. Unless specifically stated, all IP ratings nominated for Interior products are from "below the ceiling".

Dimensions

SHB23MP150TC



SHB23MP150TC WITH SHB23MP200PLB BRACKET



SHB23MP150TC - ACCESSORIES



SHB25HES/RC

- ON/OFF**
Turn on or turn off the remote control.
- W/M/PR**
Change from the microwave sensor function to PIR sensor function, and the other around.
- Scene**
Press the button to change from the different scene options, daylight threshold disabled.
- Start**
Press the button before choosing the parameters, or press it for 10s, it will be RESET function.
- Memory**
Press the button after choosing all the parameters to save them.
- Apply**
Press the button to deliver the saved settings to the other sensors directly.
- Hold Time**
The period of light keeping 100% brightness after moving objects leave the detection area.
- Stand-by period**
The period of light keeping low output before it gets completely off. When it preset off, the light always keep at low output even no movement in the detection area.
- Power %**
Press the button to change the output power from 0% to 100%, it changes 5% every press.
- Test (Ca)**
The button "Test (Ca)" is for testing purpose after commissioning. Pressing this button, the sensor goes to test mode (red light on eye 2s).
- Daylight Threshold**
Definition of the ambient brightness, only when the ambient brightness is lower than the preset specific lux.
- Detection Range**
The area in which movement will trigger the sensor, 100% detection area also means strong sensitivity.
- Stand-by dimming level**
The definition of low output during the standby period.
- +** **-**
Increase or decrease the parameters.

THE NEW ESS106 IS SMALL IN SIZE BUT BIG ON FEATURES.



For more
information
please
scan me

