



TRADESTAR SE7169MP - 70/300W

A versatile LED floodlight range with four models ranging from 70 - 300 watt, with selectable colour temperature and power.

Application

Perfect for any exterior space from residential small wattage designs through to high performance commercial applications

Design Specifications

- Integral LED control gear, non-dimmable 70, 100, 150, 200, 300 watt models
- Robust die-cast aluminium body profile with multi-function angled trunnion bracket, colour black
- Pre-wired with 1500mm UV rated flex for easy installation
- IK08, IP66 rated
- CRI >80, CCT 3000/4000/5000K and an impressive 140lm/W optical performance at 4000K
- 110 degree wide beam distribution



Technical Specification

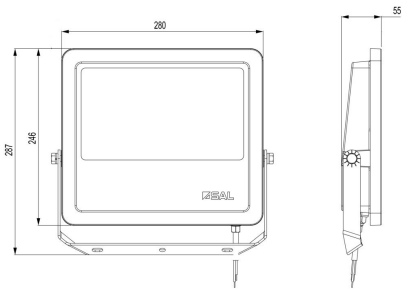
Model No.	Input Voltage (V/AC)	Power (W)	CCT (K)	CRI	Beam Angle (°)	Body Colour
SE7169MP70TC	240	70	3000/4000/5000	80	110	Black
SE7169MP100TC	240	100	3000/4000/5000	80	110	Black
SE7169MP150TC	240	150	3000/4000/5000	80	110	Black
SE7169MP200TC	240	200	3000/4000/5000	80	110	Black
SE7169MP250TC	240	250	3000/4000/5000	80	110	Black
SE7169MP300TC	240	300	3000/4000/5000	80	110	Black

Model No.	Dim (mm)	Mass (kg)
SE7169MP70TC	280(L) x 55(W) x 246(H)	2.55
SE7169MP100TC	280(L) x 55(W) x 246(H)	2.55
SE7169MP150TC	310(L) x 55(W) x 301(H)	3.77
SE7169MP200TC	334(L) x 58(W) x 351(H)	4.27
SE7169MP250TC	435(L) x 63(W) x 395(H)	7.3
SE7169MP300TC	435(L) x 63(W) x 395(H)	7.93

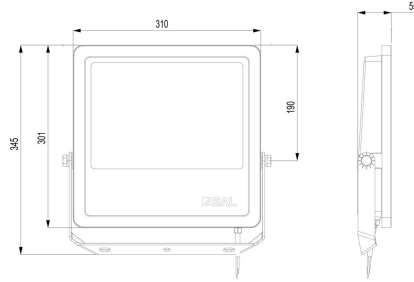
Due to continued product and technology enhancements, data sourced from sal.net.au shall not form part of any contract and or technical performance guarantee unless expressly confirmed in writing by SAL at the time of order. Products are sold in accordance with SAL Terms and Conditions of sale and all images shown are for illustration purposes only and may vary from the actual colour or finish. Unless specifically stated, all IP ratings nominated for Interior products are from "below the ceiling".

Dimensions

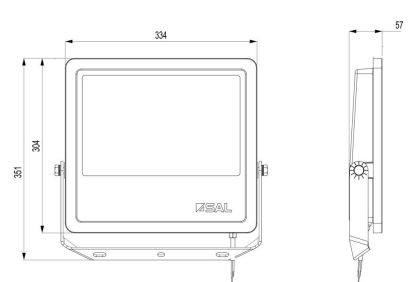
SE7169MP100TC



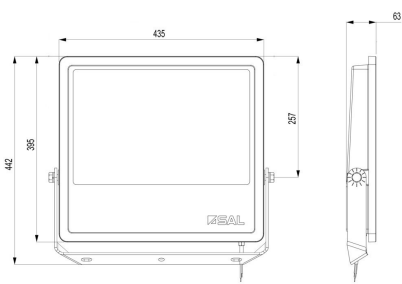
SE7169MP150TC



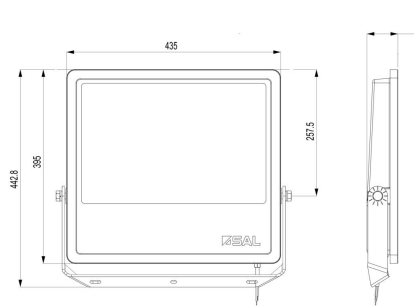
SE7169MP200TC



SE7169MP250TC



SE7169MP300TC



POWERSTAR SE7100/600 - 600W



Before selecting a floodlight look out for the marks of Compliance and Safety. Starting with the RCM mark, this signals that the product has been tested to all relevant Australian Safety standards, to ensure the product delivers its designed safety performance.

In addition look out for limits in aiming orientation to ensure the floodlight operates within its design limits and to ensure the product is suitable for such an application.

*Need more information on AS/NZS 60598 safety and compliance?
Check out the SAL web FAQ's or speak to your local SAL team member.*

For related
products
please
scan me

