



TITAN S9776TC - 40/80W

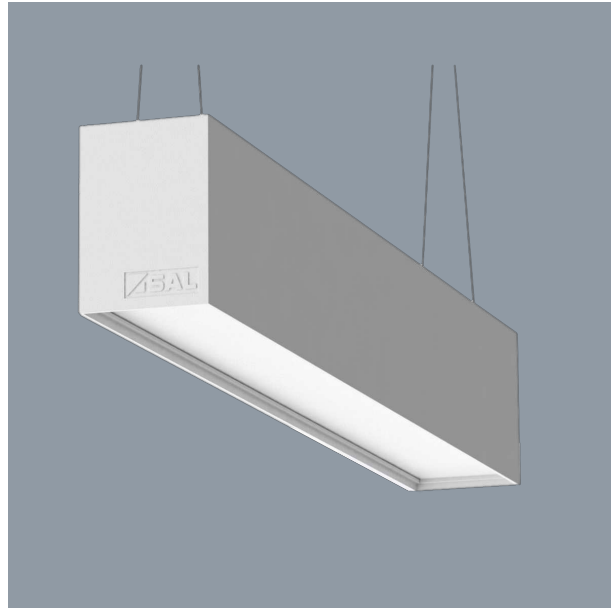
40 or 80 watt LED connectable profile, with selectable colour temperature

Application

Decorative commercial or residential applications, meeting rooms, kitchens or amenity areas

Design Specifications

- Extruded aluminium profile colour white or black, with opal polycarbonate diffuser
- High efficiency SMD LED chips, CRI > 80, beam distribution 90 degree, CCT selectable 3000/4000/5700K.
- Integral constant current non-dimmable LED driver 40 or 80 watt
- Adjustable suspension kit supplied (2 x S5Y1512), Accessory option - straight link (S9776IP)
- Surface mounted (allow min. 200 mm clearance at both ends) Loop in loop out wiring available via the PA12 termination block



Performance

Dimmable - **OPTIONAL**

Dimmer Type - **Trailing edge, DALI / DSI**

Technical Specification

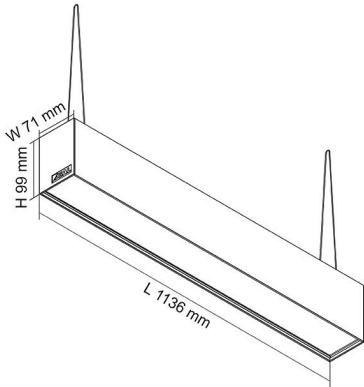
Model No.	Input Voltage (V/AC)	Power (W)	Lumens (lm)	CCT (K)	CRI	Beam Angle (°)
S9776/40TC	240	40	3900/4050/3950	3000/4000/5700	80	90
S9776/40TC/BK	240	40	3900/4050/3950	3000/4000/5700	80	90
S9776/80TC	240	80	7800/8100/7900	3000/4000/5700	80	90
S9776/80TC/BK	240	80	7800/8100/7900	3000/4000/5700	80	90

Model No.	Dimmable	Dim (mm)	Body Colour
S9776/40TC	OPTIONAL	1138(L) x 71(W) x 99(H)	WHITE
S9776/40TC/BK	OPTIONAL	1138(L) x 71(W) x 99(H)	BLACK
S9776/80TC	OPTIONAL	2256(L) x 71(W) x 99(H)	WHITE
S9776/80TC/BK	OPTIONAL	2256(L) x 71(W) x 99(H)	BLACK

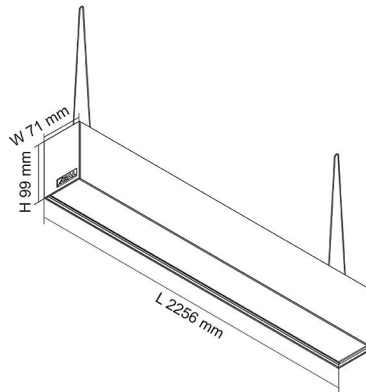
Due to continued product and technology enhancements, data sourced from sal.net.au shall not form part of any contract and or technical performance guarantee unless expressly confirmed in writing by SAL at the time of order. Products are sold in accordance with SAL Terms and Conditions of sale and all images shown are for illustration purposes only and may vary from the actual colour or finish. Unless specifically stated, all IP ratings nominated for Interior products are from "below the ceiling".

Dimensions

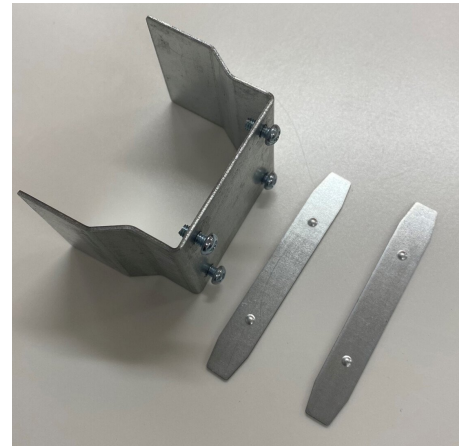
S9776 40



S9776 80



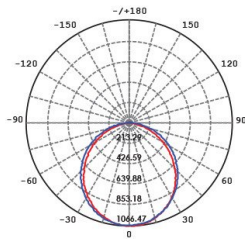
S9776IP



Photometric Data

Unit: cd C0/C180 — C90/C270 —

S9776/40CW at 4000K



THE NEW ESS106 IS SMALL IN SIZE BUT BIG ON FEATURES.



For more
information
please
scan me

