



STARGEM IV SES7070/1TC WITH SENSOR - 12W

12 watt IP54 wall mounted LED floodlight with selectable CCT and PIR sensor

Application

A stylish solution for residential exterior spaces, great for security

Design Specifications

- Robust adjustable black or white aluminium optical head assembly with quick connect termination
- Durable polycarbonate mounting base
- Tempered glass lens, beam distribution 120° per head
- Selectable CCT 3000K/4000K/5700K
- Integral non-dimmable LED driver
- Integral PIR motion sensor, detection distance 10m at 2.0hm, detection angle 180°, manual over-ride function, time and light level adjustments see installation instructions, sensor control dials must face downwards.



Performance

- In Built Sensor - **YES**
- Sensor Type - **PIR**



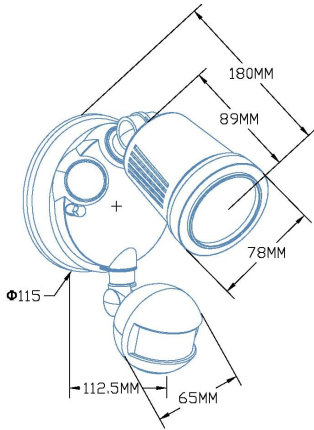
Technical Specification

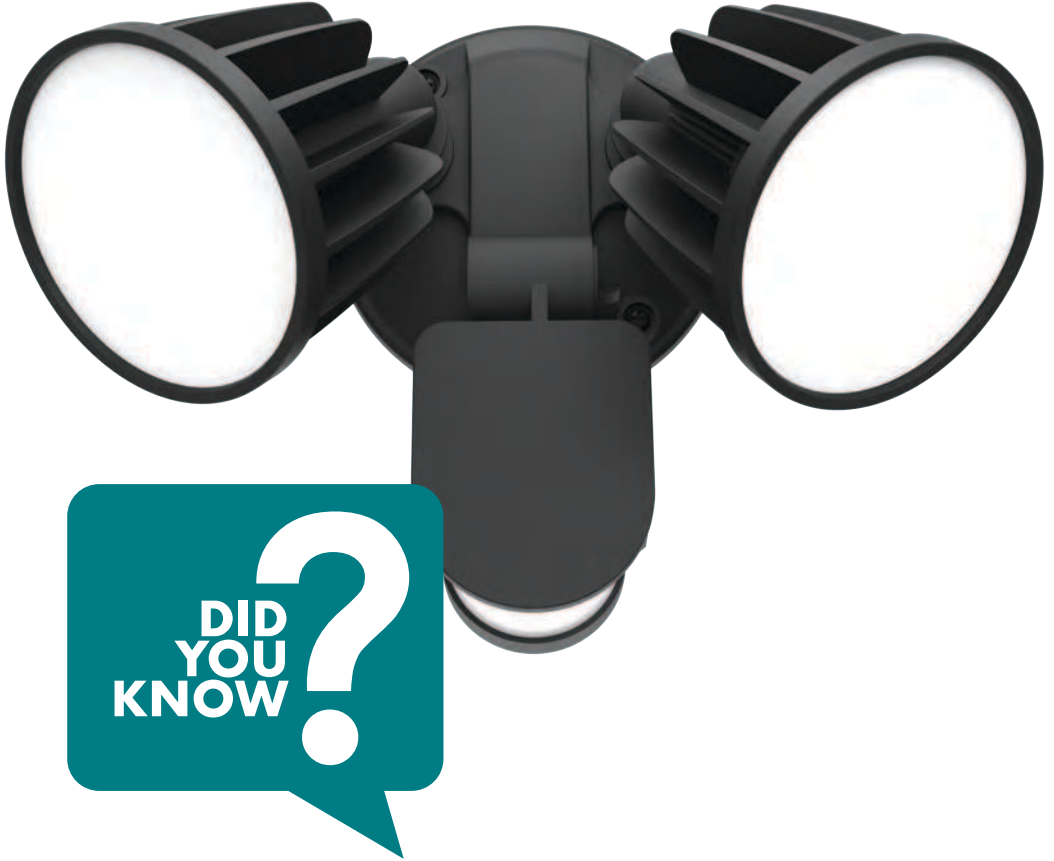
Product	Model No.	Input Voltage (V/AC)	Power (W)	Lumens (lm)	CCT (K)	CRI
	SES7070/1TC/BK	240	12	950/1150/1050	3000/4000/5700	80
	SES7070/1TC/WH	240	12	1200/1300/1250	3000/4000/5700	80

Beam Angle (°)	Body Colour	Dim (mm)	Diameter (mm)	Mass (kg)
120	BLACK	115(W) x 180(D)	115	0.52
120	WHITE	115(W) x 180(D)	115	0.4

Due to continued product and technology enhancements, data sourced from sal.net.au shall not form part of any contract and or technical performance guarantee unless expressly confirmed in writing by SAL at the time of order. Products are sold in accordance with [SAL Terms and Conditions of sale](#) and all images shown are for illustration purposes only and may vary from the actual colour or finish. Unless specifically stated, all IP ratings nominated for Interior products are from "below the ceiling".

Dimensions





Before selecting a floodlight look out for the marks of Compliance and Safety. Starting with the RCM mark, this signals that the product has been tested to all relevant Australian Safety standards to ensure the product delivers its designed safety performance.

In addition, look out for limits in aiming orientation to ensure the floodlight operates within its design limits and the product is suitable for such an application.

