



STARGEM IV SE7070/1TC - 12W

12 watt wall mounted LED floodlight with selectable CCT, IP54.

Application

A stylish solution for residential exterior spaces

Design Specifications

- Robust adjustable aluminium head profile
- Durable polycarbonate mounting base with quick connect termination
- Tempered glass lens, beam distribution 120° per head,
- Selectable CCT 3000K/4000K/5700K
- High efficiency LED optics, integral non-dimmable LED driver



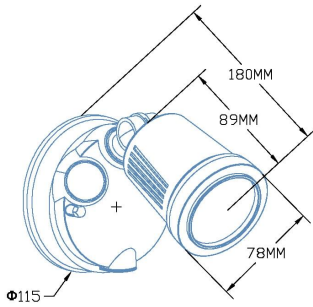
Technical Specification

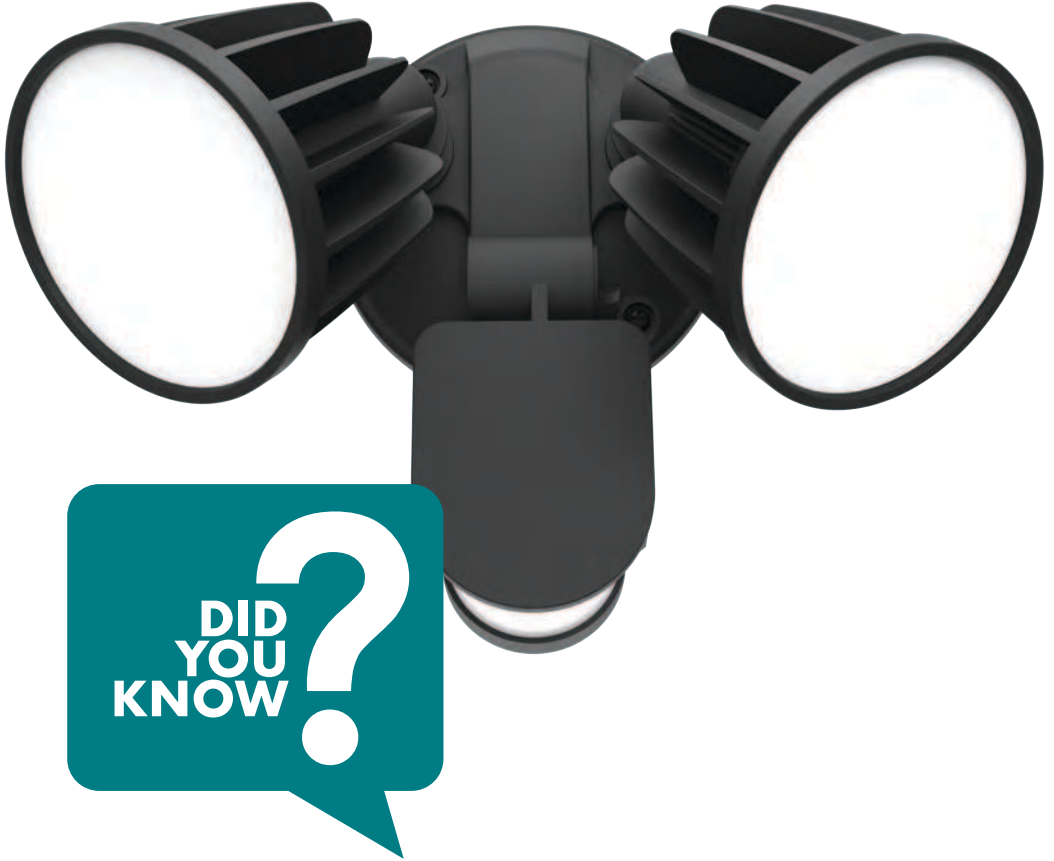
Product	Model No.	Input Voltage (V/AC)	Power (W)	Lumens (lm)	CCT (K)	CRI
	SE7070/1TC/BK	240	12	950/1150/1050	3000/4000/5700	80
	SE7070/1TC/WH	240	12	950/1150/1050	3000/4000/5700	80

Beam Angle (°)	Body Colour	Dim (mm)	Diameter (mm)	Mass (kg)
120	BLACK	122(L) x 122(W) x 165(H) x 180(D)	115	0.46
120	WHITE	180(L) x 59(W) x 115(H) x 180(D)	115	0.46

Due to continued product and technology enhancements, data sourced from sal.net.au shall not form part of any contract and or technical performance guarantee unless expressly confirmed in writing by SAL at the time of order. Products are sold in accordance with [SAL Terms and Conditions of sale](#) and all images shown are for illustration purposes only and may vary from the actual colour or finish. Unless specifically stated, all IP ratings nominated for Interior products are from "below the ceiling".

Dimensions





Before selecting a floodlight look out for the marks of Compliance and Safety. Starting with the RCM mark, this signals that the product has been tested to all relevant Australian Safety standards to ensure the product delivers its designed safety performance.

In addition, look out for limits in aiming orientation to ensure the floodlight operates within its design limits and the product is suitable for such an application.

