



STAR SPOT II S9363 - 7W

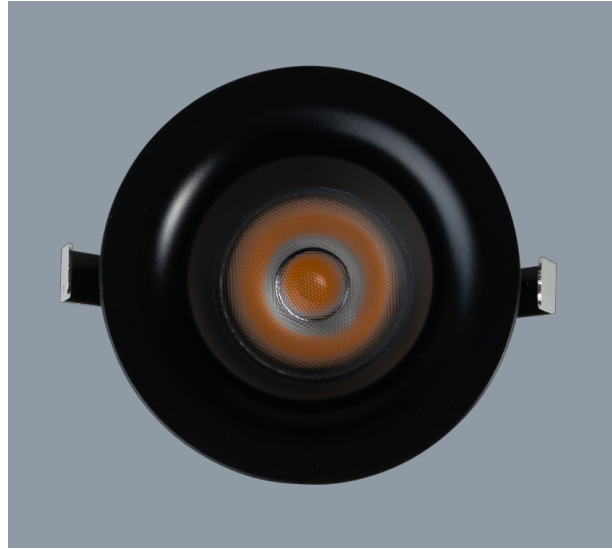
Compact design LED 7 watt downlight IP54

Application

Ideal for any residential feature lighting, home theatre, restaurants or commercial interior spaces

Design Specifications

- 55mm diameter trim face, low profile design, 50mm cut-out
- Available in White or Black finish
- Durable aluminium body profile
- CCT 3000K, 470 lumens, CRI>80
- High output COB LED chip design, 30 degree beam distribution
- Designed with a dimmable remote driver, complete with flex and plug



Performance

Dimmable - YES

Dimmer Type - Trailing Edge

Technical Specification

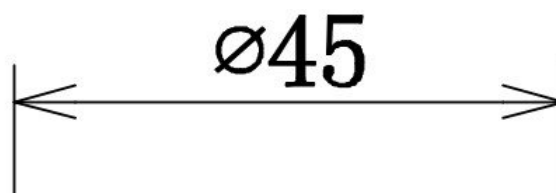
Model No.	Input Voltage (V/AC)	Power (W)	Lumens (lm)	CCT (K)	Beam Angle (°)	Dimmable
S9363WW/WH	240	7	470	3000	30	YES
S9363WW/BK	240	7	470	3000	30	YES

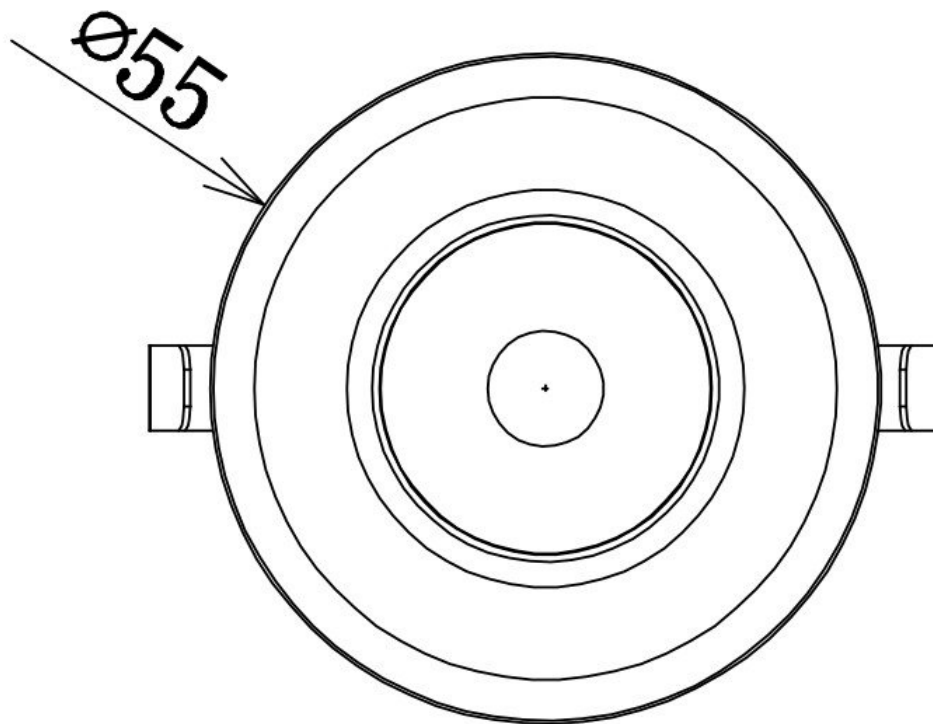
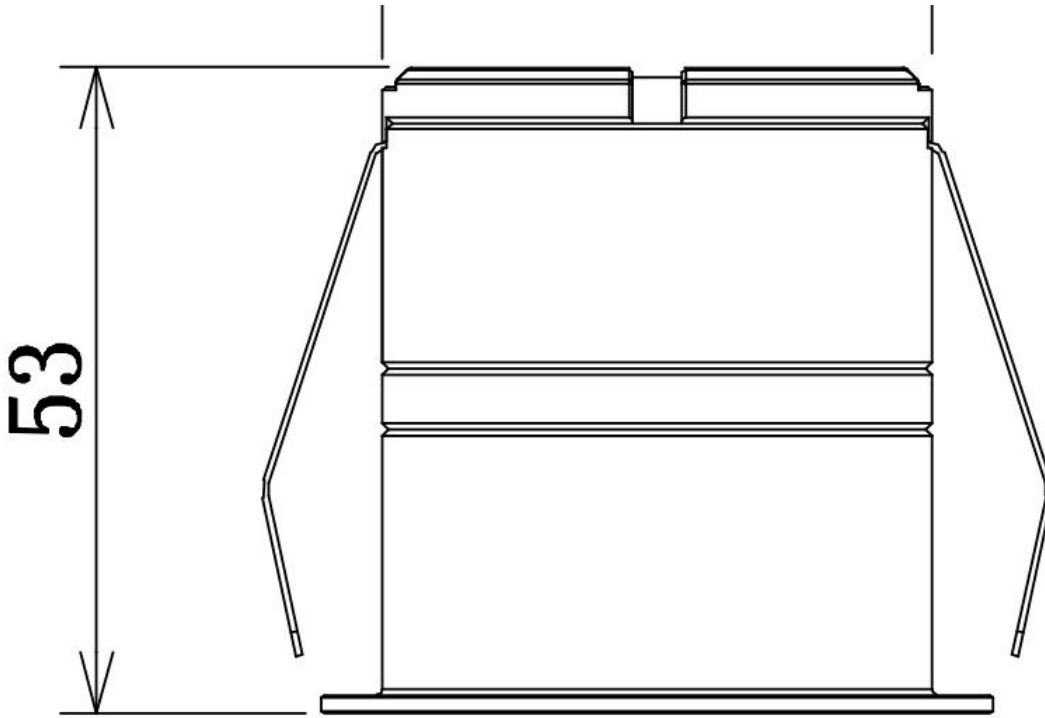
Technical Specification

Model No.	CRI	Body Colour	Cut Out (mm)	Diameter (mm)	Dim (mm)
S9363WW/WH	80	WHITE	50	55	53(H)
S9363WW/BK	80	BLACK	50	55	53(H)

Due to continued product and technology enhancements, data sourced from sal.net.au shall not form part of any contract and or technical performance guarantee unless expressly confirmed in writing by SAL at the time of order. Products are sold in accordance with SAL Terms and Conditions of sale and all images shown are for illustration purposes only and may vary from the actual colour or finish. Unless specifically stated, all IP ratings nominated for Interior products are from "below the ceiling".

Dimensions





Product Images

