



## STAR SPOT II S9362 - 3W

Compact design LED 3 watt downlight, IP54

### Application

Ideal for any residential feature lighting, home theatre, restaurants or commercial interior spaces

### Design Specifications

- 35mm diameter trim face, low profile design, 30mm cut-out
- Available in Black or White finish
- Durable aluminium body profile
- CCT 3000K, 170 lumens, CRI>80
- High output COB LED chip design, 30 degree beam distribution
- Designed with a dimmable remote driver, with flex and plug



### Performance

Dimmable - YES

Dimmer Type - Trailing Edge

### Technical Specification

Model No.	Input Voltage (V/AC)	Power (W)	Lumens (lm)	CCT (K)	Beam Angle (°)	Dimmable
S9362WW/WH	240	3	170	3000	30	YES
S9362WW/BK	240	3	170	3000	30	YES

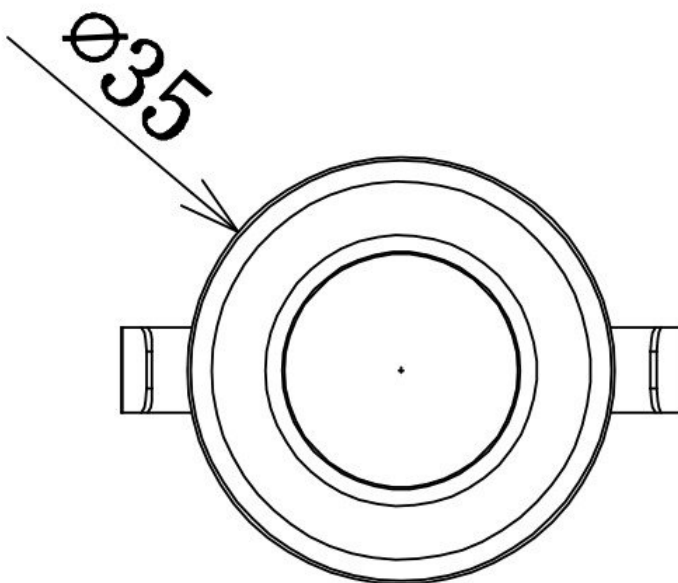
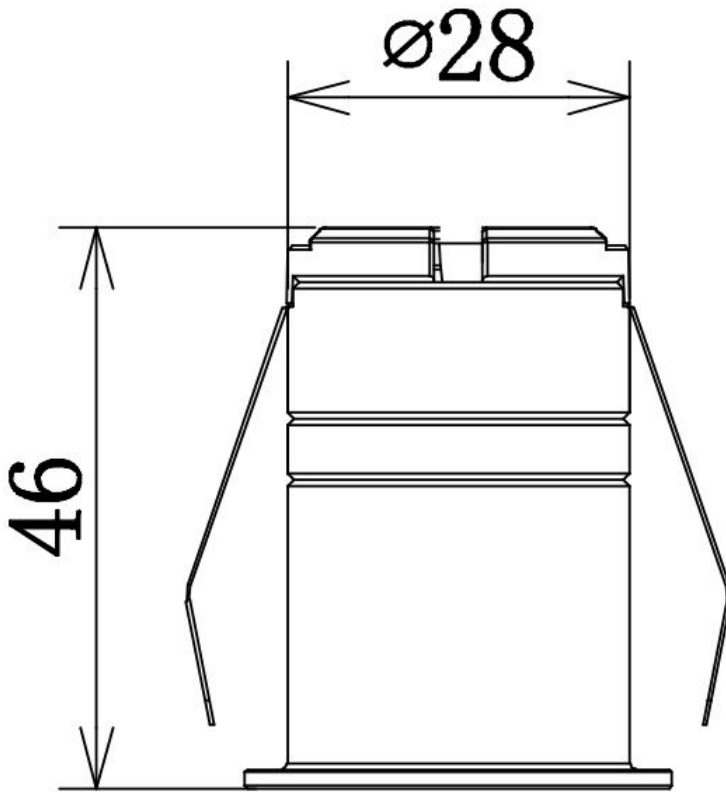
### Technical Specification

Model No.	CRI	Body Colour	Cut Out (mm)	Diameter (mm)	Dim (mm)
S9362WW/WH	80	WHITE	30	35	46(H)
S9362WW/BK	80	BLACK	30	35	46(H)

Due to continued product and technology enhancements, data sourced from sal.net.au shall not form part of any contract and or technical performance guarantee unless expressly confirmed in writing by SAL at the time of order. Products are sold in accordance with SAL Terms and Conditions of sale and all images shown are for illustration purposes only and may vary from the actual colour or finish. Unless specifically stated, all IP ratings nominated for Interior products are from "below the ceiling".



## Dimensions





## Product Images

---

