



SLT LED STRIP CHANNEL SLT4060

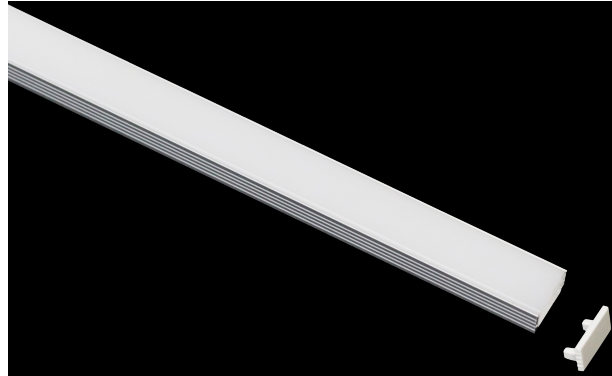
Trimless profile LED strip channel

Application

An creative solution for residential and commercial interior spaces

Design Specifications

- Extruded aluminium body, trimless profile
- Anodize silver finish
- Opal polycarbonate diffuser
- Supplied with end caps

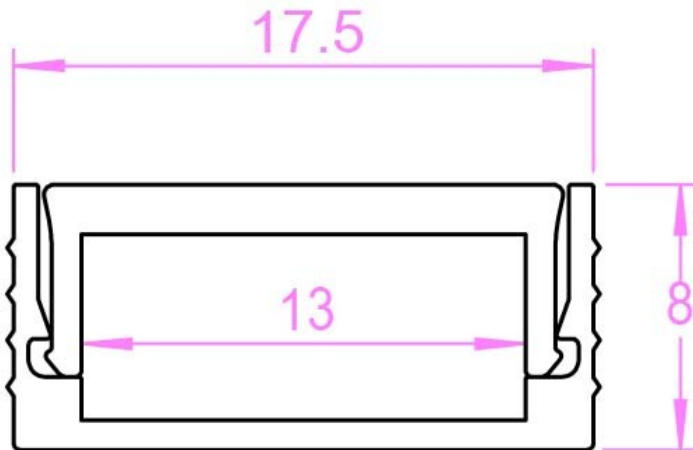


Technical Specification

Model No.	Dim (mm)
SLT4060/1M	1000(L)
SLT4060/2M	2000(L)

Due to continued product and technology enhancements, data sourced from sal.net.au shall not form part of any contract and or technical performance guarantee unless expressly confirmed in writing by SAL at the time of order. Products are sold in accordance with [SAL Terms and Conditions of sale](#) and all images shown are for illustration purposes only and may vary from the actual colour or finish. Unless specifically stated, all IP ratings nominated for Interior products are from "below the ceiling".

Dimensions



SLT4060



Product Images

