



SLT LED STRIP CHANNEL SLT3050

Surface mounted cabinet channel

Application

Perfect for cabinet or shelf lighting features

Design Specifications

- Extruded aluminium body
- Anodized silver finish
- Opal polycarbonate diffuser
- Supplied with PVC surface clips and end caps
- Standard length channel - SLT3050 1000mm or 2000mm

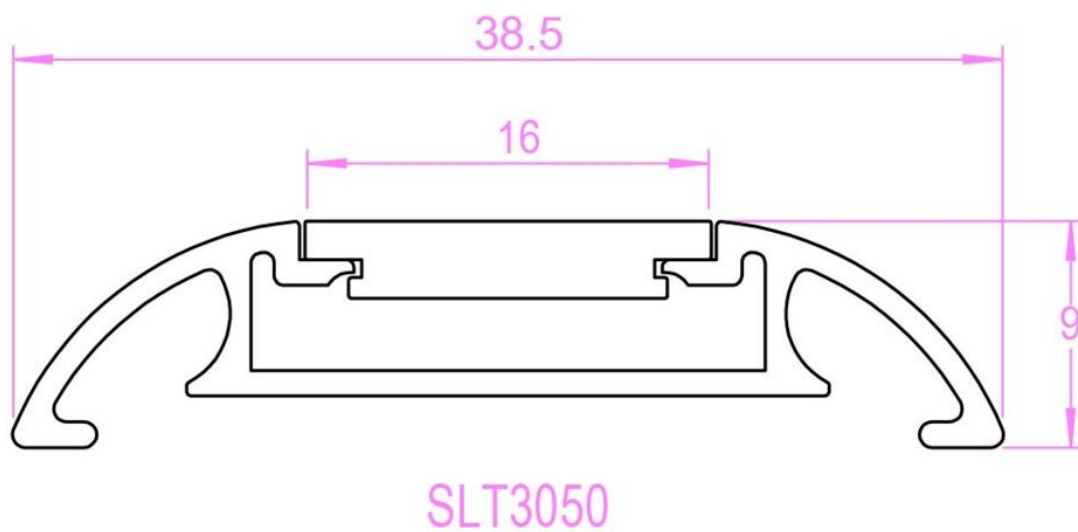


Technical Specification

Model No.	Description	Dim (mm)
SLT3050	CABINET CHANNEL SM 39mm x 9mm x 1000mm	1000(L)
SLT3050/2M	CABINET CHANNEL SM 39mm x 9mm x 2000mm	2000(L)

Due to continued product and technology enhancements, data sourced from sal.net.au shall not form part of any contract and or technical performance guarantee unless expressly confirmed in writing by SAL at the time of order. Products are sold in accordance with [SAL Terms and Conditions of sale](#) and all images shown are for illustration purposes only and may vary from the actual colour or finish. Unless specifically stated, all IP ratings nominated for Interior products are from "below the ceiling".

Dimensions



Product Images

