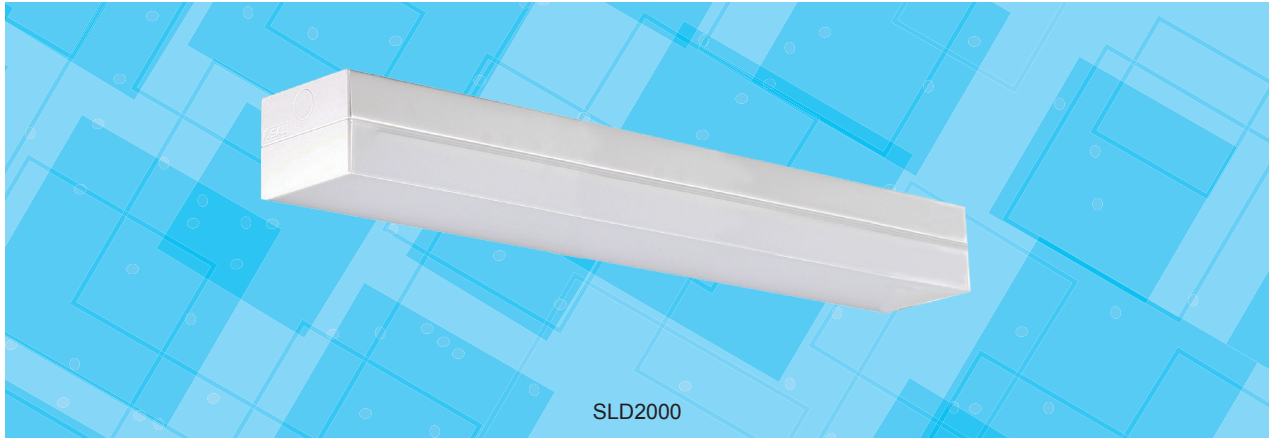
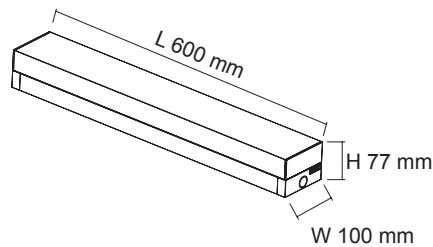


LED DIFFUSED BATTEN

SLD2000, SLD4000 LEDLINE



DIMENSIONS



CONSTRUCTION

- Pressed steel body
- Powder coated finish
- Opal PMMA diffuser
- High efficiency SMD LED chips
- Constant current non-dimmable LED driver fitted
- Large terminal block, easy installation
- Unique diffuser allows end to end installation

IP RATING

- IP20 suitable for interior use only

COLOUR TEMPERATURE

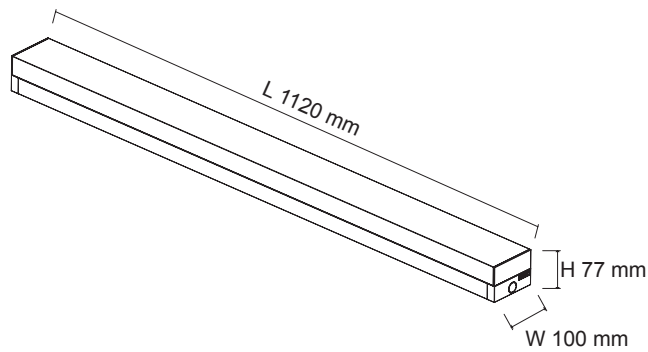
- 4000K Cool White

Model No.	Input	Power	Lumen	CCT	Beam Angle	CRI	Fitting Colour	Dimensions L x W x H
SLD2000CW	240V	20W	1900lm	4000K	120°	>80	White	600 x 100 x 77 mm
SLD4000CW	240V	40W	3800lm	4000K	120°	>80	White	1120 x 100 x 77 mm



SLD4000

DIMENSIONS



DIMMING OPTIONS

- Trailing edge
- 1-10V analogue
- DALI / DSI, digital

SENSOR OPTIONS

- Integrated microwave motion sensor
- Integrated microwave motion sensor with standBY function

EMERGENCY OPTION

- Compliant to AS2293



EMERGENCY CLASSIFICATIONS

SLD2000

- D40@C0, C180
- C80@C90, C270

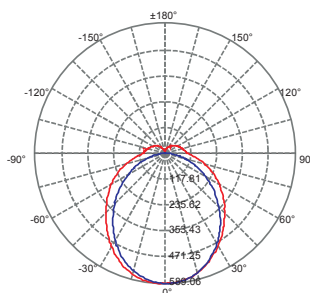
SLD4000

- D63@C0, C180
- D32@C90, C270

PHOTOMETRIC DATA

UNIT: cd C0/C180 — C90/C270 —

SLD2000CW



SLD4000CW

