



SIGNAL REPEATER LT8914RGB/RP

Three channel low voltage LED signal repeater

Application

Home theatre, decorative feature lighting designs which require smart control.

Design Specifications

- Designed for extending RGB LED strip lights
- With the repeater, one RGB colour control device controls multiple connections of LED strips
- Each repeater provides three RGB output channels
- Each channel has a maximum output current of 6A
- Input voltage range: 12-36V DC
- 648W maximum power output at 36V

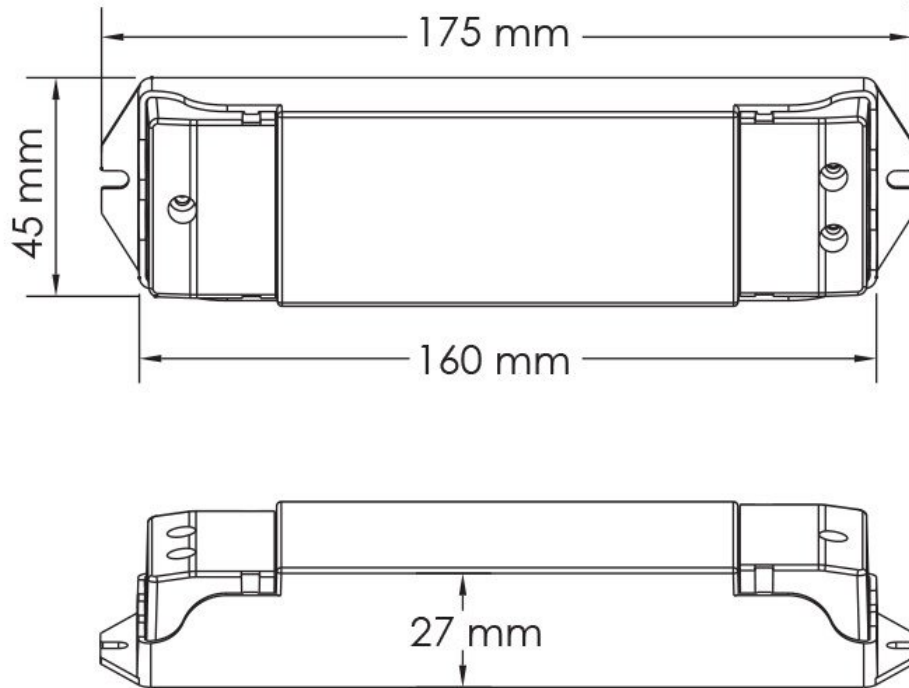


Technical Specification

Model No.	Input Voltage (V/AC)	Power (W)	Body Colour	Dim (mm)
LT8914RGB/RP	36	648	WHITE	175(L) x 45(W) x 27(H)

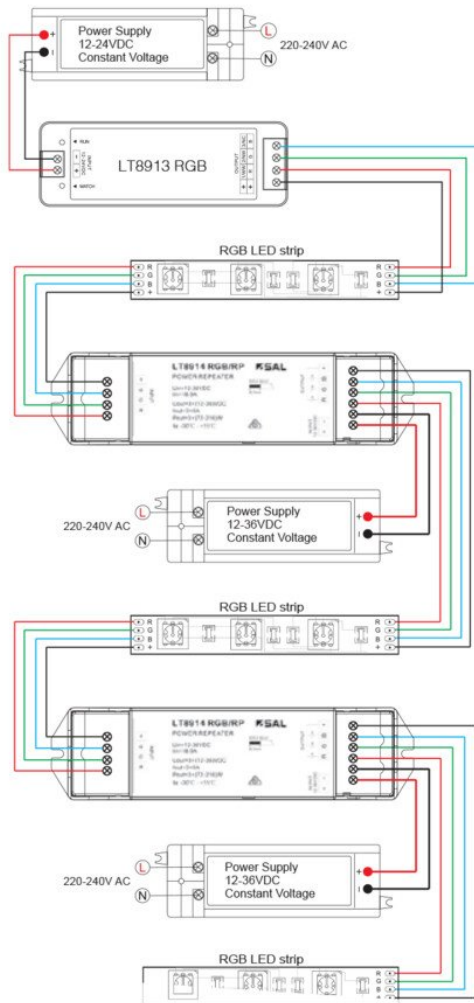
Due to continued product and technology enhancements, data sourced from sal.net.au shall not form part of any contract and or technical performance guarantee unless expressly confirmed in writing by SAL at the time of order. Products are sold in accordance with [SAL Terms and Conditions of sale](#) and all images shown are for illustration purposes only and may vary from the actual colour or finish. Unless specifically stated, all IP ratings nominated for Interior products are from "below the ceiling".

Dimensions

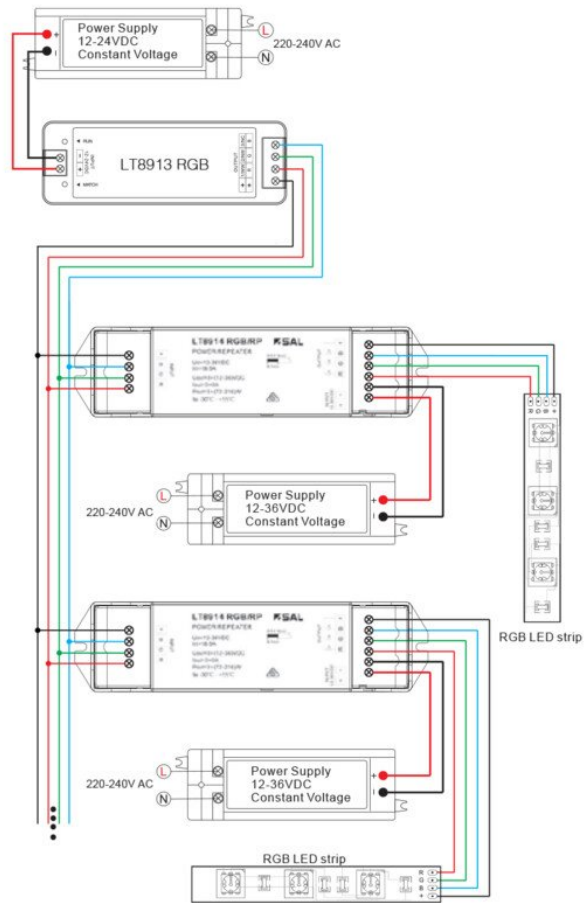


Wiring Diagram

1. Series Connection



2. Parallel Connection



Product Images

