



## SIGNAL REPEATER LT8914DIM/RP

Single channel low voltage LED signal repeater

### Application

Home theatre, decorative feature lighting designs which require smart control.

### Design Specifications

- Designed for extending single colour LED strip lights
- With the repeater, one single colour control device controls multiple connections of LED strips
- Each repeater provides one output channel
- Each channel has a maximum output current of 8A
- Input voltage range: 5-36V DC
- 288W maximum power output at 36V



### Technical Specification

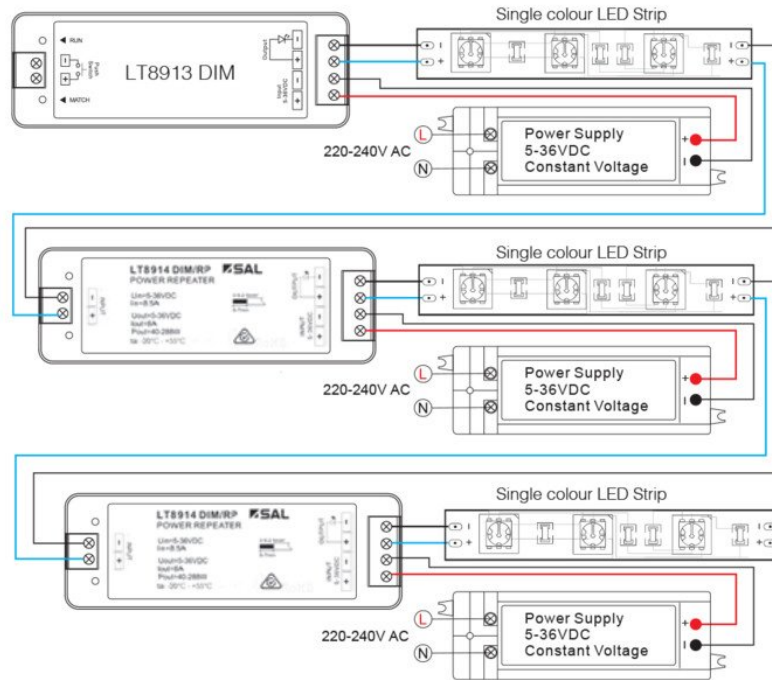
Model No.	Input Voltage (V/DC)	Power (W)	Body Colour	Dim (mm)
LT8914DIM/RP	36	288	WHITE	97(L) x 33(W) x 18(H)

Due to continued product and technology enhancements, data sourced from sal.net.au shall not form part of any contract and or technical performance guarantee unless expressly confirmed in writing by SAL at the time of order. Products are sold in accordance with [SAL Terms and Conditions of sale](#) and all images shown are for illustration purposes only and may vary from the actual colour or finish. Unless specifically stated, all IP ratings nominated for Interior products are from "below the ceiling".

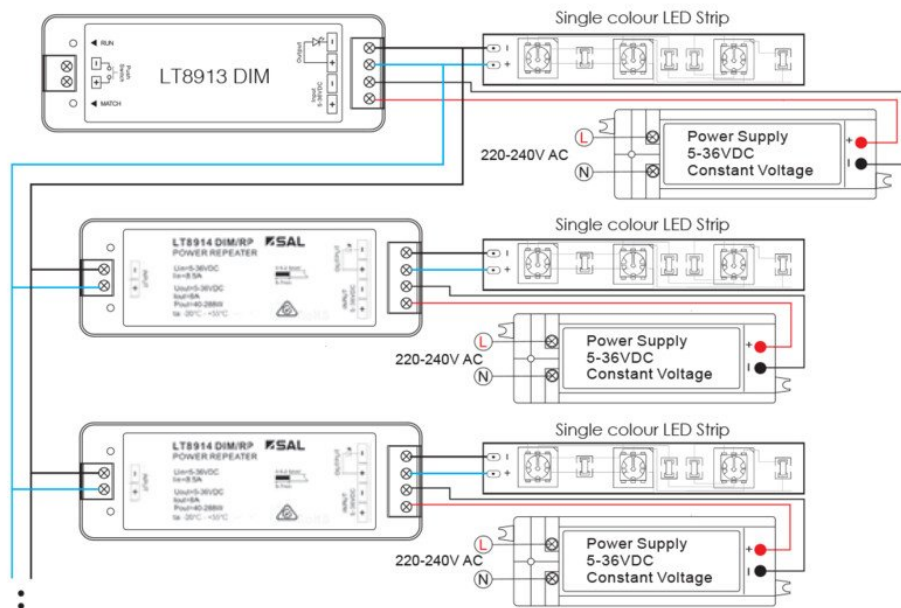
### Dimensions

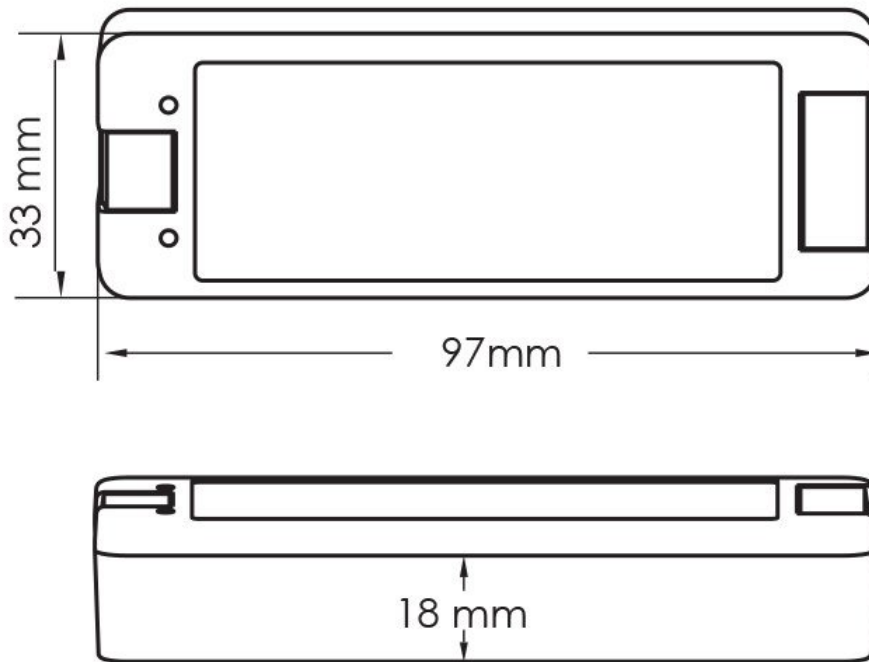
## Wiring Diagram

### 1. Series Connection



### 2. Parallel Connection

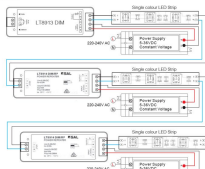




## Product Images

### Wiring Diagram

#### 1. Series Connection



#### 2. Parallel Connection

