

LED WALL FITTING

SE7121, SE7122, SE7123 BONDI



CONSTRUCTION

- Machined 316L stainless steel or cast aluminium body
- Powder coated finish (Black, Silver)
- Clear tempered glass cover
- GU10 lamp base
- GU10L350 Lamp included

IP RATING

- IP65 weatherproof

LAMP OPTIONS

- GU10L550
- GU10LR750 (excluding stainless steel fitting)
- GU10LA750 (excluding stainless steel fitting)

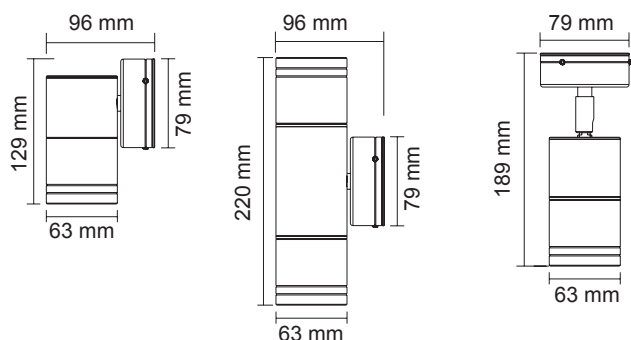
See Lamp section for detail

DIMENSIONS

SE7121/GU10

SE7122/GU10

SE7123/GU10



Model No.	Input	Material	Fitting Colour
SE7121SLS GU10	240V	Machined 316L stainless steel	Stainless Steel
SE7121BK GU10	240V	Die cast aluminium	Black
SE7121SL GU10	240V	Die cast aluminium	Silver
SE7122SLS GU10	240V	Machined 316L stainless steel	Stainless Steel
SE7122BK GU10	240V	Die cast aluminium	Black
SE7122SL GU10	240V	Die cast aluminium	Silver
SE7123SLS GU10	240V	Machined 316L stainless steel	Stainless Steel
SE7123BK GU10	240V	Die cast aluminium	Black
SE7123SL GU10	240V	Die cast aluminium	Silver

