

# LED SPIKE LIGHT

## SL7266 MINI SPIKE

### CONSTRUCTION

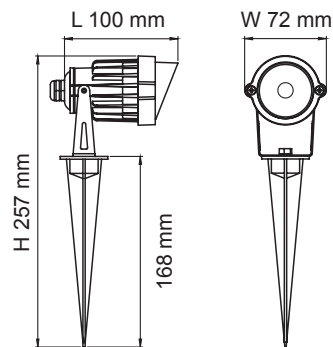
- Die-cast aluminium body
- Powder coated finish
- High output COB LED chip with aluminium reflector
- 12V AC or DC driver required
- 1.5 m 2 core rubber flex

### IP RATING

- IP65 weatherproof



### DIMENSIONS



Model No.	Input	Power	Lumen	CCT	CRI	Beam Angle	Fitting Colour
SL7266WW/BK	12V	6W	400lm	3000K	>80	30°	Black

# LED RECESSED WALL LIGHT

## S9337 BREMER

### CONSTRUCTION

- Die-cast aluminium body
- Stainless steel face panel & screws
- ABS installation canister included
- Clear tempered glass cover
- High output SMD LED chip
- Built-in constant current non-dimmable LED driver
- 500 mm 3 core rubber flex

### IP RATING

- IP44 weatherproof

Model No.	Input	Power	Lumen	CCT	CRI	Fitting Colour
S9337	240V	2W	140lm	3000K	>80	Stainless Steel



### DIMENSIONS

