



PREMIER S9075TC DP - 30W

IP64 30W LED downlight with selectable colour temperature and power

Application

Ideal for any commercial interior space requiring flexibility in power selections

Design Specifications

- Premium aluminium body profile, CA90 rated
- Stylish white powder coat finish
- Quality opal polycarbonate diffuser
- High efficiency SMD LED chips
- Remote constant current non-dimmable LED driver, with flex and plug



Technical Specification

Model No.	Description	Input Voltage (V/AC)	Multiple Wattage	Lumens (lm)	CCT (K)	Beam Angle (°)
S9075TC/WH/DP	LED D/L 23/30W IP64 3/4/6K WH DP	240	23/30	2600/3100/2800	3000/4000/5700	90

Technical Specification

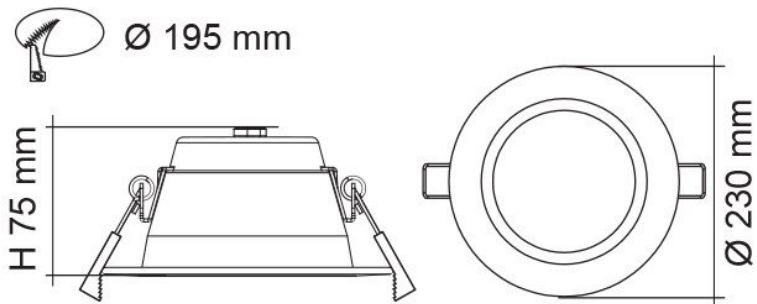
Model No.	Dimmable	CRI	Body Colour	Dim (mm)
S9075TC/WH/DP	OPTIONAL	80	WHITE	230(W) x 75(H)

Due to continued product and technology enhancements, data sourced from sal.net.au shall not form part of any contract and or technical performance guarantee unless expressly confirmed in writing by SAL at the time of order. Products are sold in accordance with [SAL Terms and Conditions of sale](#) and all images shown are for illustration purposes only and may vary from the actual colour or finish. Unless specifically stated, all IP ratings nominated for Interior products are from "below the ceiling".

Dimensions



Dimensions





Photometric Data

Photometric Data

Unit: cd C0/C180 _____ C90/C270 _____

S9075TC/WH/DP at 4000K

