



PREMIER S9074TC / DP - 15/20W

IP64 DUAL POWER 15/20W LED non-dimmable downlight with selectable colour temperature

Application

Ideal for any commercial interior spaces looking for an economical lighting choice and design flexibility

Design Specifications

- Premium aluminium body profile, CA90 rated
- Stylish white powder coat finish
- Quality opal polycarbonate diffuser
- High efficiency SMD LED chips
- Remote constant current non - dimmable LED driver, with flex and plug and integral dual power 15/20w selections



Technical Specification

Model No.	Description	Input Voltage (V/AC)	Multiple Wattage	Lumens (lm)	CCT (K)	Beam Angle (°)
S9074TC/WH/DP	LED D/L 15/20W IP64 3/4/5.7K WH / DP	240	15/20	1600/1900/1700	3000/4000/5700	90

Technical Specification

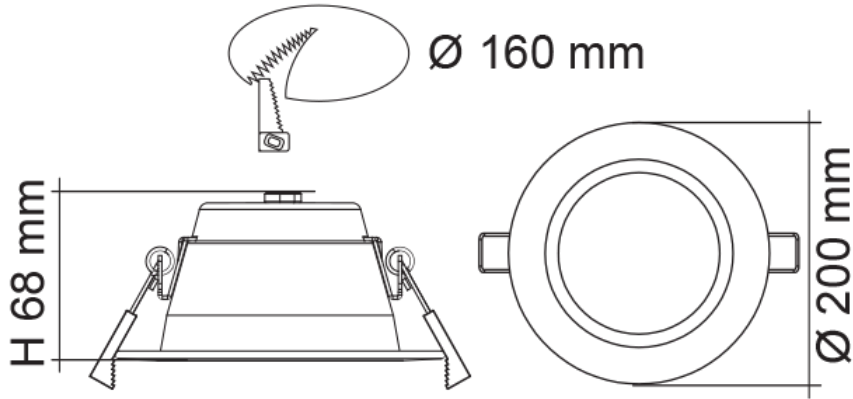
Model No.	Dimmable	CRI	Body Colour	Dim (mm)
S9074TC/WH/DP	OPTIONAL	80	WHITE	200(W) x 68(H)

Note: Lumens (lm) shown are displayed at FULL power selection

Due to continued product and technology enhancements, data sourced from sal.net.au shall not form part of any contract and or technical performance guarantee unless expressly confirmed in writing by SAL at the time of order. Products are sold in accordance with [SAL Terms and Conditions of sale](#) and all images shown are for illustration purposes only and may vary from the actual colour or finish. Unless specifically stated, all IP ratings nominated for Interior products are from "below the ceiling".

Dimensions

S9074TC



Photometric Data

Photometric Data

Unit: cd C0/C180 _____ C90/C270 _____

S9074TC

at 4000K

