



PREMIER S9072TC - 14W

Dimmable IP64 14W LED downlight with selectable colour

Application

Ideal for any residential or commercial interior space

Design Specifications

- Premium aluminium body profile, IC - 4 rated
- Stylish white or silver powder coat finish
- Quality opal polycarbonate diffuser
- High efficiency SMD LED chips
- Constant current trailing edge dimmable LED driver, with flex and plug
- Dimming options: 1-10v analogue, DALI, DSI

Performance

Dimmable - **OPTIONAL**

Dimmer Type - **TRAILING EDGE, DALI, DSI, 1-10V**



Technical Specification

Model No.	Description	Input Voltage (V/AC)	Power (W)	Lumens (lm)	CCT (K)	Beam Angle (°)
S9072TC SL	LED D/L 14W IP64 3/4/6K DIM SL	240	14	1000/1150/1150	3000/4000/5700	90
S9072TC WH	LED D/L 14W IP64 3/4/6K DIM WH	240	14	1000/1150/1150	3000/4000/5700	90

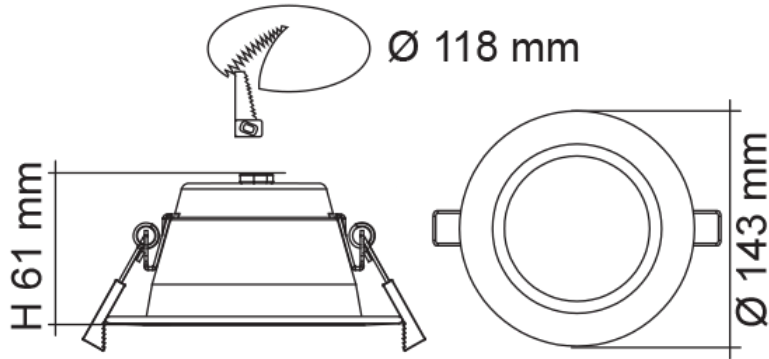
Technical Specification

Model No.	Dimmable	CRI	Body Colour	Dim (mm)
S9072TC SL	YES	80	SILVER	143(W) x 61(H)
S9072TC WH	YES	80	WHITE	143(W) x 61(H)

Due to continued product and technology enhancements, data sourced from sal.net.au shall not form part of any contract and or technical performance guarantee unless expressly confirmed in writing by SAL at the time of order. Products are sold in accordance with [SAL Terms and Conditions of sale](#) and all images shown are for illustration purposes only and may vary from the actual colour or finish. Unless specifically stated, all IP ratings nominated for Interior products are from "below the ceiling".

Dimensions

S9072TC

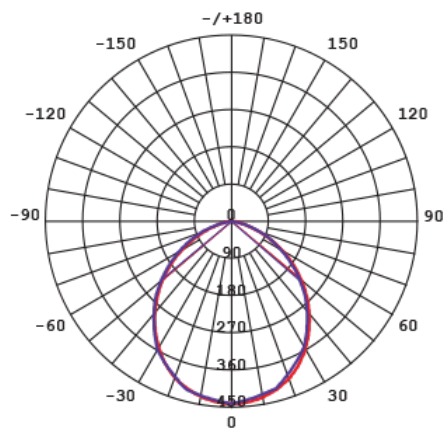


Photometric Data

Photometric Data

Unit: cd C0/C180 _____ C90/C270 _____

S9072TC at 4000K





Product Images

