



OPAL LGS10TC/PC - 9W

9 watt LED GLS style opal lamps, with selectable CCT and Daylight Sensor

Application

Energy efficient LED lamp solutions, requiring daylight sensor functions.

Design Specifications

- Opal polycarbonate diffuser, beam distribution 200°
- Poly covered aluminium body, B22 and E27 lamp bases
- High efficiency LED optics, CRI>80
- Integral non-dimmable LED driver with fixed daylight sensor, 30 lux threshold, OFF delay 5 minutes.
- Selectable CCT 2700K/4000K/6500K
- 1:1 size to traditional GLS / A60 lamp, suits most GLS / A60 lamp fittings, double insulation

Performance

- Dimmable - **NO**
- In Built Sensor - **YES**
- Sensor Type - **DAYLIGHT**



Technical Specification

Product	Model No.	Input Voltage (V/AC)	Power (W)	Lumens (lm)	CCT (K)	CRI
	LGS10TC/B22/PC	240	9	900/1000/950	2700/4000/6500	80
	LGS10TC/E27/PC	240	9	900/1000/950	2700/4000/6500	80

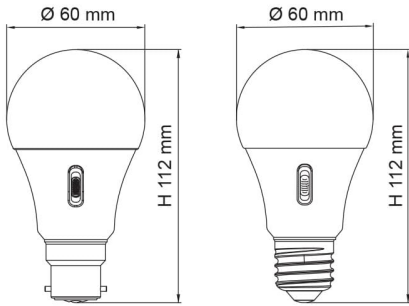


Beam Angle (°)	Dimmable	Diameter (mm)	Length (mm)	Base Type
200	NO	60	112	B22
200	NO	60	112	E27

IMPORTANT, where CCT selection switching is provided, it is important to switch OFF the SUPPLY before the CCT selection is made, otherwise equipment damage may occur.

Due to continued product and technology enhancements, data sourced from sal.net.au shall not form part of any contract and or technical performance guarantee unless expressly confirmed in writing by SAL at the time of order. Products are sold in accordance with [SAL Terms and Conditions of sale](#) and all images shown are for illustration purposes only and may vary from the actual colour or finish. Unless specifically stated, all IP ratings nominated for Interior products are from "below the ceiling".

Dimensions



THE SFI SYSTEM ELIMINATES LED FLICKERING.

**SIMPLY
MATCH THE
UNIFIT SFI
DOWNLIGHT
WITH THIS
SDD400SFI
DIMMER.**



**DIM with
FLICKER
CONTROL**

For related
products
please
scan me

