



NEWMAN III S9525 - 15/25/35W

Rotable scoop LED Shoplight

Application

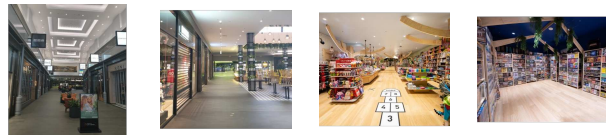
Ideal for any retail or commercial interior space

Design Specifications

- Durable die-cast aluminium body profile
- Stylish white powder coat finish
- The bracket mechanism ensures optimum tilting function 60° (-15° ~ +45°) and rotating 340°
- High output COB LED chip, beam angle 40 degree standard, optional 24 degree
- High performance optical lens with a changeable multi-faceted reflector system
- Constant current trailing edge dimmable and non-dimmable driver configurations fitted with flex and plug - refer to model number.

Performance

Dimmable - **OPTIONAL**
Dimmer Type - **Trailing edge, 1-10V, DALI / DSI**



-
-
-
-
-
-
-
-
-
-

Technical Specification

Model No.	Input Voltage (V/AC)	Power (W)	Lumens (lm)	CCT (K)	Beam Angle (°)	Dimmable
S9525/92WW/WH	240	15	1400	3000	40	YES
S9525/92CW/WH	240	15	1500	4000	40	YES
S9525/92DL/WH	240	15	1600	5000	40	YES
S9525/125WW/WH	240	25	2300	3000	40	OPTIONAL
S9525/125CW/WH	240	25	2500	4000	40	OPTIONAL
S9525/125DL/WH	240	25	2600	5000	40	OPTIONAL
S9525/145WW/WH	240	35	3100	3000	40	OPTIONAL
S9525/145CW/WH	240	35	3200	4000	40	OPTIONAL
S9525/145DL/WH	240	35	3300	5000	40	OPTIONAL

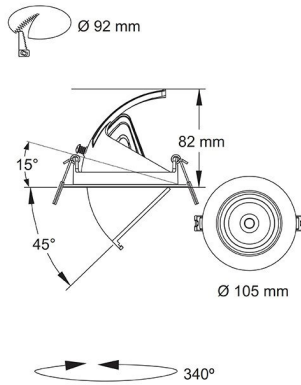


Model No.	CRI	Body Colour	Cut Out (mm)
S9525/92WW/WH	80	WHITE	92
S9525/92CW/WH	80	WHITE	92
S9525/92DL/WH	80	WHITE	92
S9525/125WW/WH	80	WHITE	125
S9525/125CW/WH	80	WHITE	125
S9525/125DL/WH	80	WHITE	125
S9525/145WW/WH	80	WHITE	145
S9525/145CW/WH	80	WHITE	145
S9525/145DL/WH	80	WHITE	145

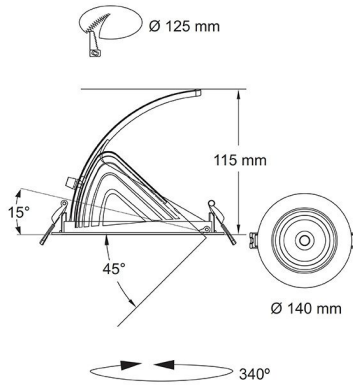
Due to continued product and technology enhancements, data sourced from sal.net.au shall not form part of any contract and or technical performance guarantee unless expressly confirmed in writing by SAL at the time of order. Products are sold in accordance with [SAL Terms and Conditions of sale](#) and all images shown are for illustration purposes only and may vary from the actual colour or finish. Unless specifically stated, all IP ratings nominated for Interior products are from "below the ceiling".

Dimensions

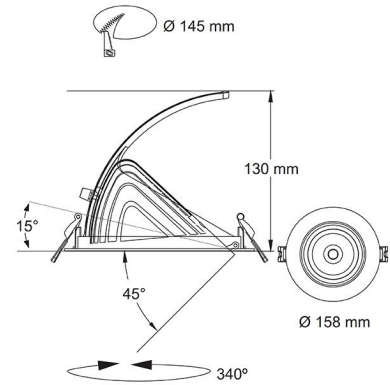
S9525 - 92



S9525 - 125



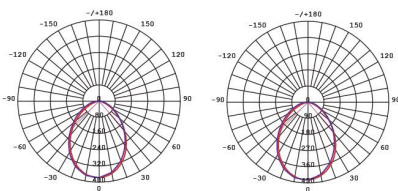
S9525 - 145



Photometric Data

Unit: cd C0/C180 — C90/C270

S9525/92WW/WH at 3000K S9525/145WW/WH at 3000K



THE SFI SYSTEM ELIMINATES LED FLICKERING.

**SIMPLY
MATCH THE
ECO GEM SFI
DOWNLIGHT
WITH THIS
SDD400SFI
DIMMER.**



**DIM with
FLICKER
CONTROL**

For related
products
please
scan me

