



## NEW BONDI SL7221TC

IP65 GU10 architectural wall luminaires, with GU10 selectable TC lamp included

### Application

A decorative residential exterior or interior solution

### Design Specifications

- Aluminium body and powder coat black or silver or anodised silver finish
- Clear tempered glass cover
- GU10 lamp base, selectable TC lamp, GU10L350TC included
- SAL lamp options GU10L550TC, GU10LR750, GU10LA750
- SL7221 downward light distribution only



### Technical Specification

Model No.	Input Voltage (V/AC)	Power (W)	Lumens (lm)	CCT (K)	CRI	Beam Angle (°)
SL7221TC/AS	240	4	360/400/380	3000/4000/6000	80	50
SL7221TC/BK	240	4	360/400/380	3000/4000/6000	80	50
SL7221TC/SL	240	4	360/400/380	3000/4000/6000	80	50

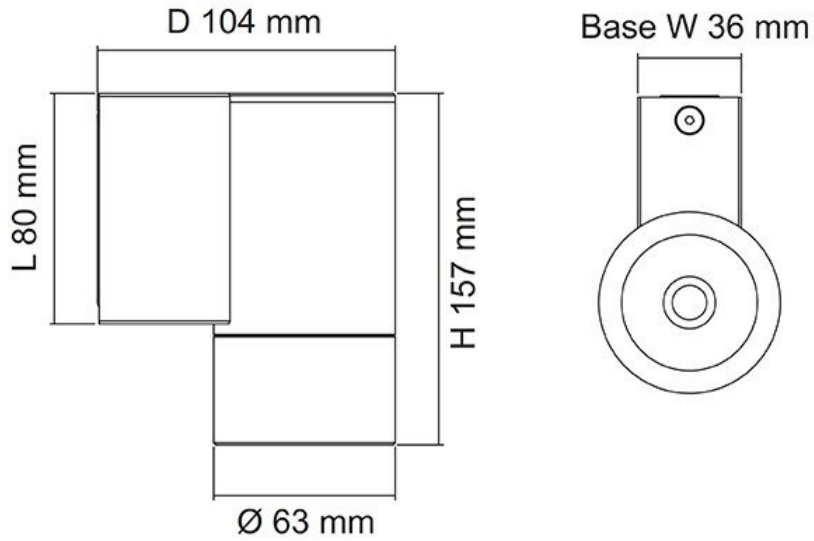
### Technical Specification

Model No.	Diameter (mm)	Dim (mm)	Body Colour
SL7221TC/AS	63	104(W) x 157(H)	ANODISED SILVER
SL7221TC/BK	63	104(W) x 157(H)	BLACK
SL7221TC/SL	63	104(W) x 157(H)	SILVER

Due to continued product and technology enhancements, data sourced from sal.net.au shall not form part of any contract and or technical performance guarantee unless expressly confirmed in writing by SAL at the time of order. Products are sold in accordance with [SAL Terms and Conditions of sale](#) and all images shown are for illustration purposes only and may vary from the actual colour or finish. Unless specifically stated, all IP ratings nominated for Interior products are from "below the ceiling".

## Dimensions

SL7221 GU



## Product Images

