



LED MR16 DIM - 9W

Dimmable 9 watt - MR16 profile LED

Application

Residential interior spaces

Design Specifications

- Shockproof frosted polycarbonate lens
- Die cast aluminium body
- High efficiency SMD LED chips
- The essential transformer is the SAL MINI60 and the recommended dimmer is the SAL SDA450U. Dependent upon circuit and load configurations, the addition of a load correction capacitor may be required.
- Beam distribution 60 degree, CRI > 80
- GU5.3 lamp base

Performance

Dimmable - **YES**

Dimmer Type - **Trailing edge**



Technical Specification

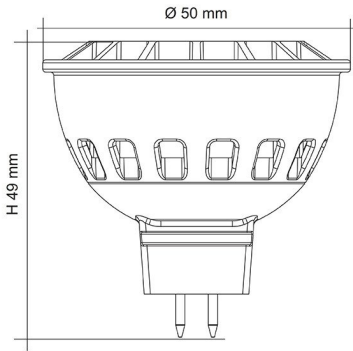
Model No.	Input Voltage (V/AC)	Power (W)	Lumens (lm)	CCT (K)	CRI	Beam Angle (°)
MR16DIM9W/WW	12	9	500	3000	80	60
MR16DIM9W/CW	12	9	550	4000	80	60
MR16DIM9W/DL	12	9	550	6000	80	60

Model No.	Dimmable	Base Type
MR16DIM9W/WW	YES	GU5.3
MR16DIM9W/CW	YES	GU5.3
MR16DIM9W/DL	YES	GU5.3

Due to continued product and technology enhancements, data sourced from sal.net.au shall not form part of any contract and or technical performance guarantee unless expressly confirmed in writing by SAL at the time of order. Products are sold in accordance with [SAL Terms and Conditions of sale](#) and all images shown are for illustration purposes only and may vary from the actual colour or finish. Unless specifically stated, all IP ratings nominated for Interior products are from "below the ceiling".



Dimensions



THE SFI SYSTEM ELIMINATES LED FLICKERING.

**SIMPLY
MATCH THE
UNIFIT SFI
DOWNLIGHT
WITH THIS
SDD400SFI
DIMMER.**



**DIM with
FLICKER
CONTROL**

For related
products
please
scan me

