



LED DIM STRIP CONTROL LT8915DIM/BT

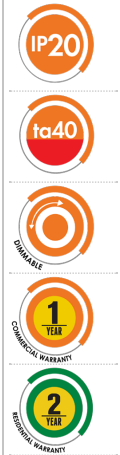
SMART HOME - Australian approved, multi-voltage, dimmable, single colour LED strip controller with Bluetooth connectivity

Application

Home theatre, commercial spaces and decorative feature lighting designs which require smart control

Design Specifications

- Designed for single colour brightness control, smooth 0 - 100% dimming
- Input voltage range: 12-24V DC, 360W maximum power output at 24V
- One channel with two sets of terminals for easy wiring
- Supports momentary switch (bell press) control on any wall plates, control button for easy commissioning
- Optional memory function
- Supports both wireless and wired group control



Performance

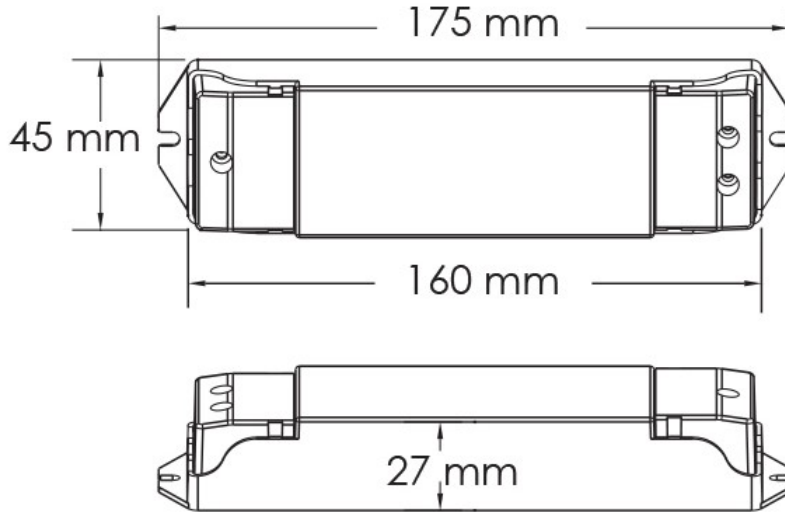
Dimmable Driver - **YES**
Dimmer Type - **PIXIE Bluetooth control**

Technical Specification

Model No.	Description	Input (V)	Power (W)	Dimensions (mm)
LT8915DIM/BT	LED STRIP CONTROLLER	24	360	175(L) x 45(W) x 27(H)

Due to continued product and technology enhancements, data sourced from sal.net.au shall not form part of any contract and or technical performance guarantee unless expressly confirmed in writing by SAL at the time of order. Products are sold in accordance with [SAL Terms and Conditions of sale](#) and all images shown are for illustration purposes only and may vary from the actual colour or finish.

Dimensions



Wiring Diagram

