



## GU10 SPOT II STR4863TC- 4W

4 watt GU10 Architectural single circuit track spot with selectable TC lamp

### Application

Ideal for decorative retail and interior residential spaces

### Design Specifications

- Aluminium body profile
- Powder coat finish in white or black
- GU10 lamp base
- GU10L350TC selectable colour temperature lamp included, 3000/4000/6000K CRI>80, beam distribution 50°
- 350 degree rotatable (horizontal), 120 degree vertical
- SAL Lamp options: GU10L550TC, GU10LR750, GULA750 (trailing edge dimmable)



- DOUBLE CIRCUIT
- IP20
- Ra25
- 1 YEAR COMMERCIAL WARRANTY
- 3 YEAR RESIDENTIAL WARRANTY
- WARM WHITE 3000K
- COOL WHITE 4000K
- DAYLIGHT 6000K

### Performance

Dimmable - **OPTIONAL**

Dimmer Type - **Trailing edge dimmable lamp**

**GU10LA750**

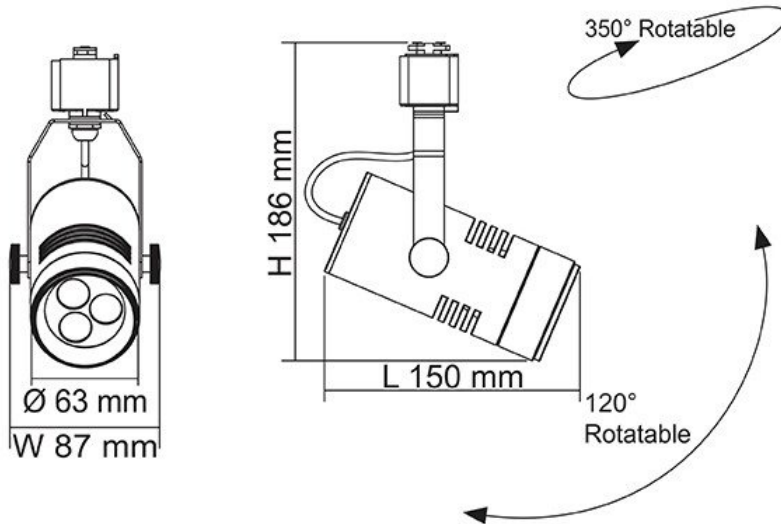
### Technical Specification

Model No.	Input Voltage (V/AC)	Power (W)	Lumens (lm)	CCT (K)	CRI	Beam Angle (°)
STR4863TC/WH	240	4	360/400/380	3000/4000/6000	80	50
STR4863TC/BK	240	4	360/400/380	3000/4000/6000	80	50

Due to continued product and technology enhancements, data sourced from sal.net.au shall not form part of any contract and or technical performance guarantee unless expressly confirmed in writing by SAL at the time of order. Products are sold in accordance with [SAL Terms and Conditions of sale](#) and all images shown are for illustration purposes only and may vary from the actual colour or finish. Unless specifically stated, all IP ratings nominated for Interior products are from "below the ceiling".

## Dimensions

STR4863GU



## Product Images

