



## GROUND MK II S9341 - 8W

Adjustable LED inground IP67 luminaire

### Application

Decorative LED solution, ideal for gardens and decorative pathways

### Design Specifications

- 316L stainless steel face cover, die-cast aluminium body
- Clear tempered glass diffuser, high efficiency SMD LED chips with optical lens
- Integral constant current non-dimmable LED driver
- IP68 PG9 PVC cable gland, PVC installation canister included
- 450 mm 3 core rubber flex, maximum load capacity 2000 kg



### Technical Specification

Model No.	Description	Input Voltage (V/AC)	Power (W)	Lumens (lm)	CCT (K)	CRI
S9341WW	LED INGROUND UPLIGHT IP67 3K	240	8	350	3000	80
S9341CW	LED INGROUND UPLIGHT IP67 4K	240	8	400	4000	80

### Technical Specification

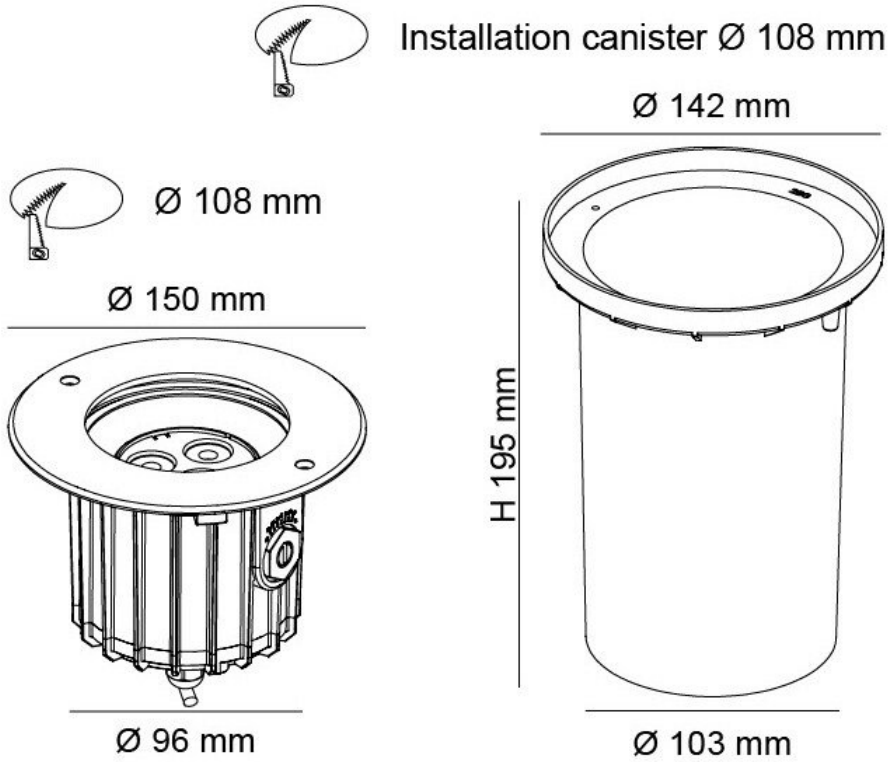
Model No.	Beam Angle (°)	Diameter (mm)	Dim (mm)	Body Colour
S9341WW	30	150	195(L) x 150(W)	STAINLESS STEEL
S9341CW	30	150	195(L) x 150(W)	STAINLESS STEEL

Due to continued product and technology enhancements, data sourced from sal.net.au shall not form part of any contract and or technical performance guarantee unless expressly confirmed in writing by SAL at the time of order. Products are sold in accordance with [SAL Terms and Conditions of sale](#) and all images shown are for illustration purposes only and may vary from the actual colour or finish. Unless specifically stated, all IP ratings nominated for Interior products are from "below the ceiling".

## Dimensions

S9341

### Dimensions



## Product Images

