



## GROUND MK II S9341 - 8W

Adjustable LED inground IP67 luminaire

### Application

Decorative LED solution, ideal for gardens and decorative pathways

### Design Specifications

- 316L stainless steel face cover, die-cast aluminium body
- Clear tempered glass diffuser, high efficiency SMD LED chips with optical lens
- Integral constant current non-dimmable LED driver
- IP68 PG9 PVC cable gland, PVC installation canister included
- 450 mm 3 core rubber flex, maximum load capacity 2000 kg



### Technical Specification

Model No.	Input Voltage (V/AC)	Power (W)	Lumens (lm)	CCT (K)	CRI	Beam Angle (°)
S9341WW	240	8	350	3000	80	30
S9341CW	240	8	400	4000	80	30

Model No.	Diameter (mm)	Dim (mm)	Body Colour
S9341WW	150	195(L) x 150(W)	STAINLESS STEEL
S9341CW	150	195(L) x 150(W)	STAINLESS STEEL

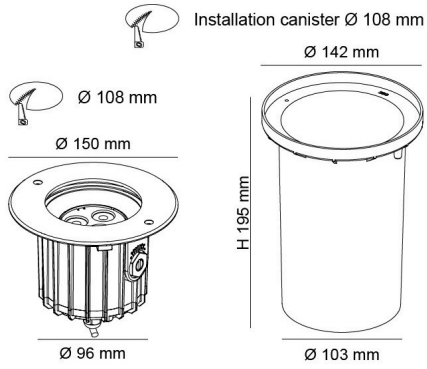
Due to continued product and technology enhancements, data sourced from sal.net.au shall not form part of any contract and or technical performance guarantee unless expressly confirmed in writing by SAL at the time of order. Products are sold in accordance with [SAL Terms and Conditions of sale](#) and all images shown are for illustration purposes only and may vary from the actual colour or finish. Unless specifically stated, all IP ratings nominated for Interior products are from "below the ceiling".



## Dimensions

S9341

### Dimensions





Why is the IP rating important? In brief, IP (Ingress Protection) ratings are defined in EN 60529 and simply defines the ability of an electrical product to seal and protect against the intrusion of foreign objects and water.

(I) As the first numeral stands for intrusion of a foreign object, where (P) as the second numeral stands for the penetration of moisture.

As a guide IP20 rated products would be seen in interior spaces with no requirement for protection against the elements, where an IP65 product would be found in an exterior application which required substantial protection against the elements.

*Need more information on IP ratings? Check out the SAL web FAQ's or speak to your local SAL team member.*

**For more  
information  
please  
scan me**

