



## FRISBEE SL2104TC - 8/25W

Low profile recessed or surface mount oyster with selectable colour temperature and power

### Application

A creative design for residential or commercial spaces

### Design Specifications

- Low profile design
- Durable white polyamide body profile with an opal polycarbonate diffuser
- High efficiency SMD LED chips, choice of selectable power 8/12W, 12/18W, 18/25W and colour temperature 3000K/4000K/6000K
- Integral constant current non-dimmable driver
- Flexible cut-out sizes to suit retrofit recessed applications - SL2104/18TC 80-100mm, SL2104/22TC 120-200mm, SL2104/30TC 150-270mm
- Double insulation



### Technical Specification

Model No.	Description	Input Voltage (V/AC)	Multiple Wattage	Lumens (lm)	CCT (K)	CRI
SL2104/18TC/DP	LED OYST 8/12W IP44 3/4/6K	240	8/12	780/840/840	3000/4000/6000	80
SL2104/22TC/DP	LED OYST 12/18W IP44 3/4/6K	240	12/18	1260/1350/1350	3000/4000/6000	80
SL2104/30TC/DP	LED OYST 18/25W IP44 3/4/6K	240	18/25	1875/2000/2000	3000/4000/6000	80

### Technical Specification

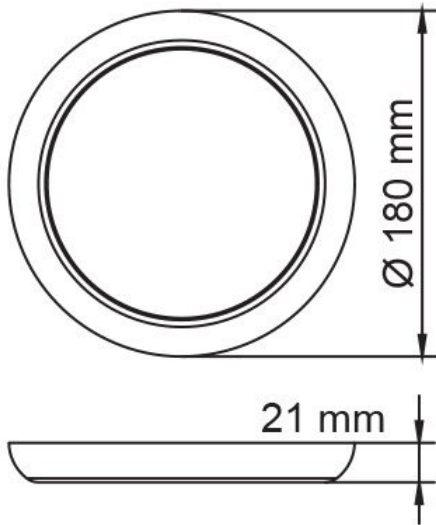
Model No.	Beam Angle (°)	Body Colour	Dim (mm)
SL2104/18TC/DP	110	WHITE	180(W) x 21(H)
SL2104/22TC/DP	110	WHITE	220(W) x 21(H)
SL2104/30TC/DP	110	WHITE	300(W) x 25(H)

Lumens (lm) shown are at full power setting

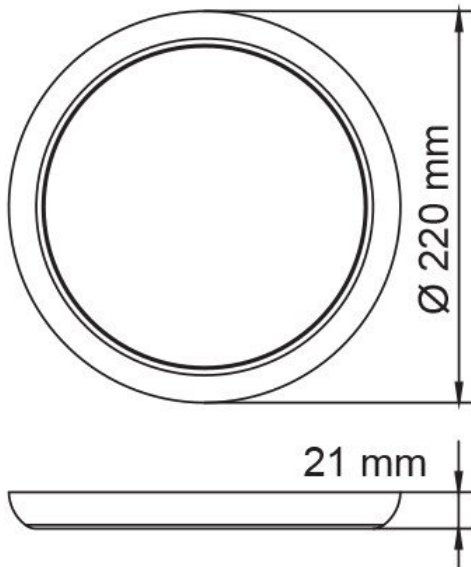
Due to continued product and technology enhancements, data sourced from sal.net.au shall not form part of any contract and or technical performance guarantee unless expressly confirmed in writing by SAL at the time of order. Products are sold in accordance with SAL Terms and Conditions of sale and all images shown are for illustration purposes only and may vary from the actual colour or finish. Unless specifically stated, all IP ratings nominated for Interior products are from "below the ceiling".

### Dimensions

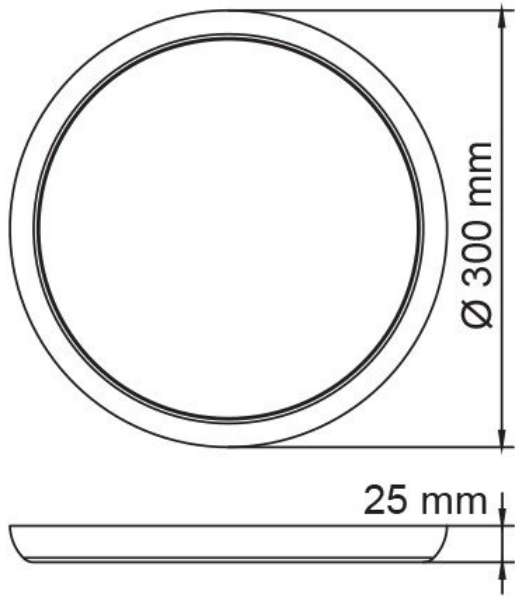
SL2104/18TC/DP



SL2104/22TC/DP



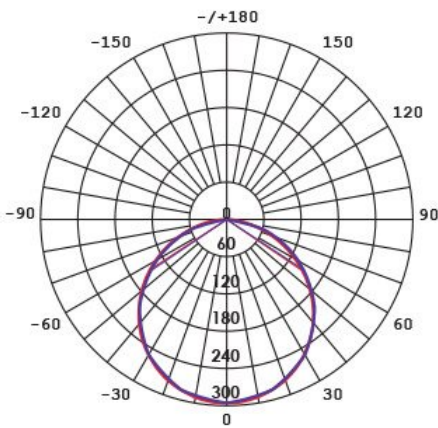
SL2104/30TC/DP



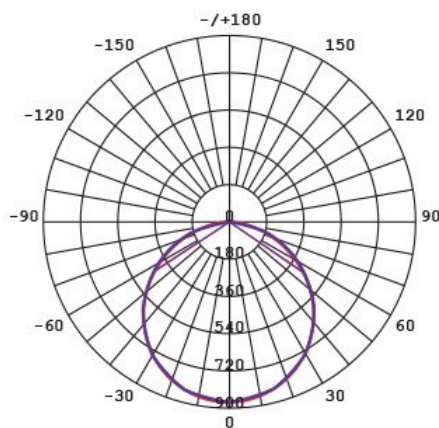
## Photometric Data

Unit: cd C0/C180 \_\_\_\_\_ C90/C270 \_\_\_\_\_

**SL2104/18TC at 4000K**



**SL2104/30TC at 6000K**





## Product Images

---

