



FLEXI 24V WHITE COLOUR IP65, FLL2406/SS10-6W/M

Run length 20 metre, CRI> 80, 24V, LED Strip IP65

Application

A creative solution for residential and commercial interior spaces, requiring 20 metre run lengths

Design Specifications

- High efficiency SMD LED chips with 3M self-adhesive tape, 6 watt p/m
- Maximum run length 20m, cuttable every 100 mm at scissors symbol ✂
- Heat sink and 24V constant voltage LED driver required
- Dimmin options: (refer category introduction)
Type A - Trailing edge dimming,
Type B - LED strip controller LT8915DIM/BT with LT8914DIM/RP if required
Type C - Analogue 1-10V
- LED channel options refer this section



-
-
-
-
-
-
-
-
-

Technical Specification

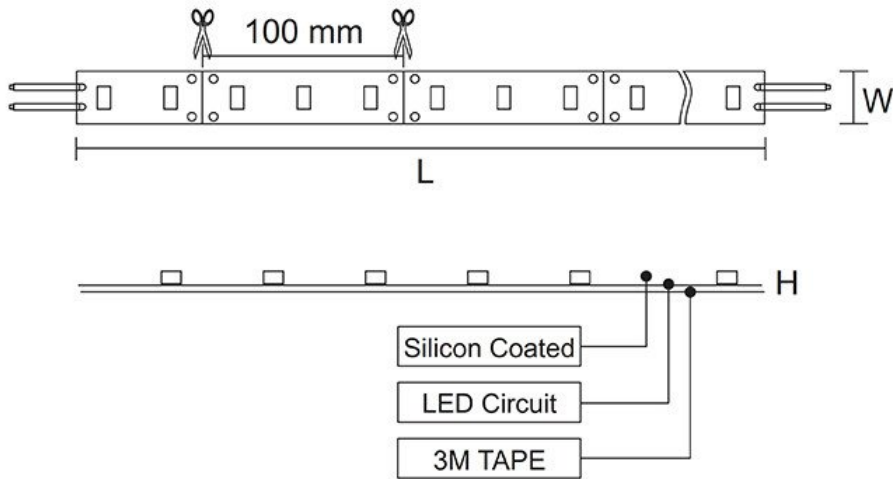
Model No.	Description	Input Voltage (V/DC)	Watts per metre (W/m)	Beam Angle (°)	Body Colour	CRI
FLL2406WW/SS10	LED STRIP 24V 6W/m IP65 3K	24	6	115	CLEAR	80
FLL2406CW/SS10	LED STRIP 24V 6W/m IP65 4K	24	6	115	CLEAR	80
FLL2406DL/SS10	LED STRIP 24V 6W/m IP65 6K	24	6	115	CLEAR	80

Technical Specification

Model No.	LEDs Per Metre	Dim (mm)	Colour Temp. (K)
FLL2406WW/SS10	60	10(W) x 1.6(H)	3000
FLL2406CW/SS10	60	10(W) x 1.6(H)	4000
FLL2406DL/SS10	60	10(W) x 1.6(H)	6000

Due to continued product and technology enhancements, data sourced from sal.net.au shall not form part of any contract and or technical performance guarantee unless expressly confirmed in writing by SAL at the time of order. Products are sold in accordance with [SAL Terms and Conditions of sale](#) and all images shown are for illustration purposes only and may vary from the actual colour or finish. Unless specifically stated, all IP ratings nominated for Interior products are from "below the ceiling".

Dimensions



Product Images

