



## FLEXI 24V SINGLE COLOUR IP20 FL2406/R05-6W/M

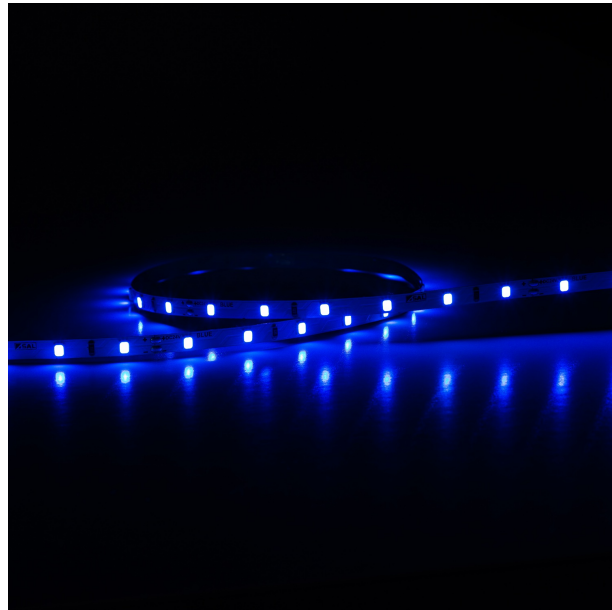
Run length 5 metre, 24V narrow single colour LED Strip, IP20

### Application

A creative solution for residential and commercial interior spaces

### Design Specifications

- High efficiency SMD LED chips with 3M self-adhesive tape.
- Maximum run length 5m, cuttable every 100 mm at scissors symbol ✂
- Heat sink and 24V constant voltage LED driver required.
- Dimming options: (refer category introduction)
  - Type A - Trailing edge dimming,
  - Type B - LED strip controller LT8915DIM/BT with LT8914DIM/RP if required,
  - Type C - Analogue 1-10V
- LED channel options refer this section



- 
- 
- 
- 
- 
- 
- 
- 

### Performance

Dimmable - **OPTIONAL**

Dimmer Type - **refer dimming options**

### Technical Specification

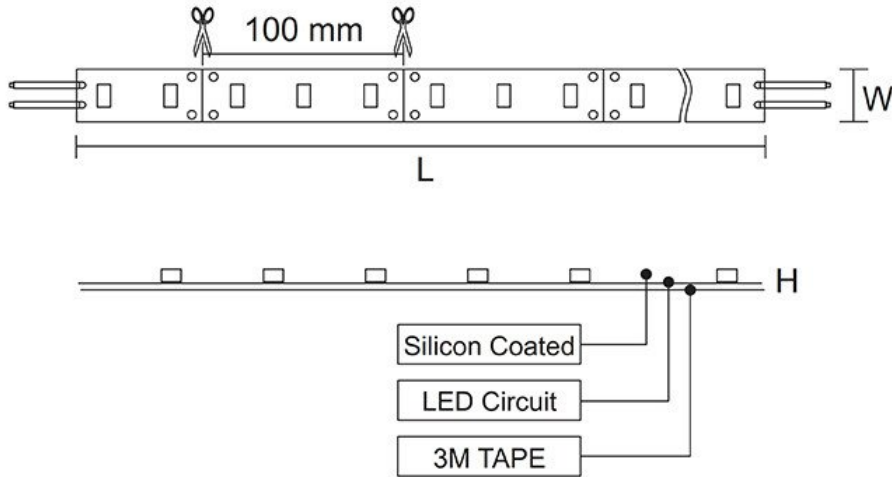
Model No.	Input Voltage (V/DC)	Watts per metre (W/m)	Beam Angle (°)	Body Colour	CRI	Luminous Flux Per Meter (lm/m)
FL2406WW/R05	24	6	115	CLEAR	80	460
FL2406NDL/R05	24	6	115	CLEAR	80	460
FL2406BU/R05	24	6	115	BLUE		85

### Technical Specification

Model No.	LEDs Per Metre	Dim (mm)	Colour Temp. (K)
FL2406WW/R05	60	5(W) x 1.4(H)	3000
FL2406NDL/R05	60	5(W) x 1.4(H)	5000
FL2406BU/R05	60	5(W) x 1.4(H)	BLUE

Due to continued product and technology enhancements, data sourced from sal.net.au shall not form part of any contract and or technical performance guarantee unless expressly confirmed in writing by SAL at the time of order. Products are sold in accordance with [SAL Terms and Conditions of sale](#) and all images shown are for illustration purposes only and may vary from the actual colour or finish. Unless specifically stated, all IP ratings nominated for Interior products are from "below the ceiling".

## Dimensions



## Product Images

