



FANCY ROUND CLEAR DIM LFR - 4W

4 watt dimmable LED filament fancy round clear style lamps

Application

Energy efficient LED lamp solutions

Design Specifications

- Clear glass diffuser, B15, B22, E14, E27 bases
- High efficiency LED filament and colour rendering >80
- Integral trailing edge dimmable LED driver
- 320° beam angle
- Colour temperature 2700K / 5000K
- 1:1 size to traditional fancy round lamp, dimmable, suits most fancy round lamp fittings, double insulation

Performance

Dimmable - **YES**

Dimmer Type - **Trailing edge**



-
-
-
-
-
-
-
-
-
-
-
- WARM WHITE 2700K**
- DAYLIGHT 5000K**

Technical Specification

Model No.	Input Voltage (V/AC)	Power (W)	Lumens (lm)	CCT (K)	CRI	Beam Angle (°)
LFR27B15D/C	240	4	450	2700	80	320
LFR27B22D/C	240	4	450	2700	80	320
LFR27E14D/C	240	4	450	2700	80	320
LFR27E27D/C	240	4	450	2700	80	320
LFR50B15D/C	240	4	450	5000	80	320
LFR50B22D/C	240	4	450	5000	80	320
LFR50E14D/C	240	4	450	5000	80	320
LFR50E27D/C	240	4	450	5000	80	320

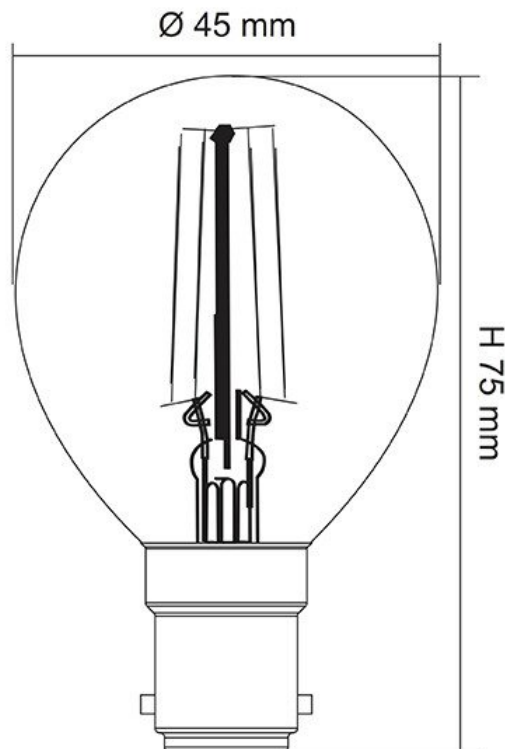
Technical Specification

Model No.	Dimmable	Diameter (mm)	Length (mm)	Base Type
LFR27B15D/C	YES	45	75	B15
LFR27B22D/C	YES	45	71	B22
LFR27E14D/C	YES	45	77	E14
LFR27E27D/C	YES	45	73	E27
LFR50B15D/C	YES	45	75	B15
LFR50B22D/C	YES	45	71	B22
LFR50E14D/C	YES	45	77	E14
LFR50E27D/C	YES	45	73	B27

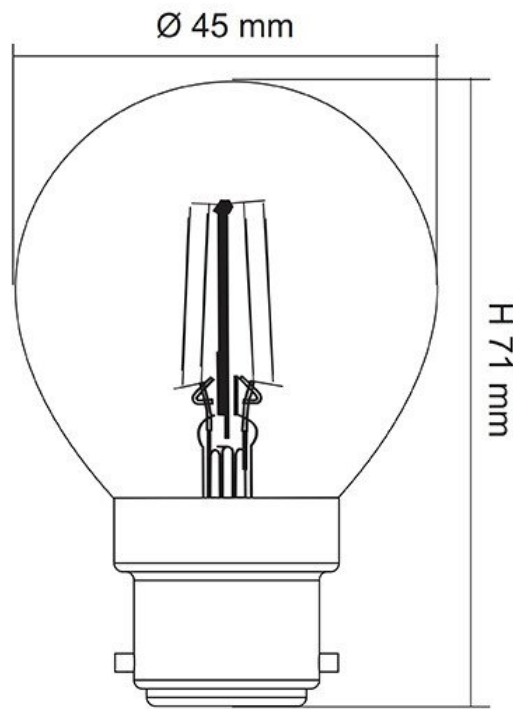
Due to continued product and technology enhancements, data sourced from sal.net.au shall not form part of any contract and or technical performance guarantee unless expressly confirmed in writing by SAL at the time of order. Products are sold in accordance with [SAL Terms and Conditions of sale](#) and all images shown are for illustration purposes only and may vary from the actual colour or finish. Unless specifically stated, all IP ratings nominated for Interior products are from "below the ceiling".

Dimensions

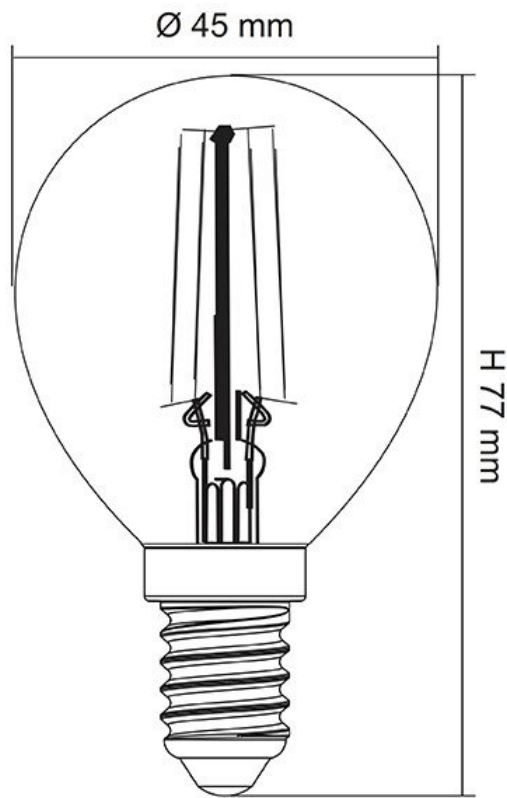
LFR B15



LFR B22

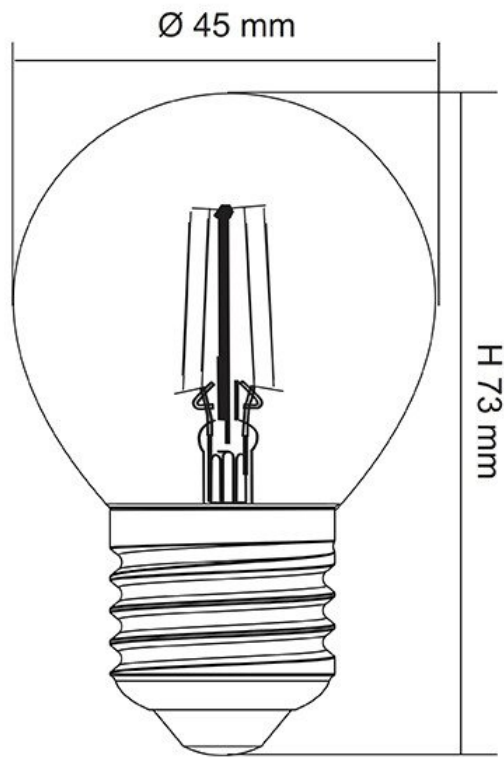


LFR E14





LFR E27



Product Images

