



ECOSTAR S9046 - 9W

Dimmable 9 watt gimbal LED downlight

Application

Ideal for any residential or commercial interior spaces

Design Specifications

- Durable die-cast aluminium body profile
- Stylish powder coat finish in white or plated satin nickel
- Versatile gimbal head with 30 degree tilt, IC- 4 rated
- High output COB LED chip, 60 Deg standard beam, 40 Deg optional, CRI > 80
- Changeable multi-reflector system, standard 60 degree beam, optional 40 degree, 3000 or 6000K
- Remote constant current trailing edge dimmable LED driver with flex and plug

Performance

Dimmable - **YES**

Dimmer Type - **Trailing edge, 1-10V, DALI / DSI**



Technical Specification

Model No.	Description	Input Voltage (V/AC)	Power (W)	Lumens (lm)	CCT (K)	Beam Angle (°)
S9046 WW WH	LED DOWNLIGHT GIMBAL 9W 3K WH	240	9	800	3000	60
S9046 DL WH	LED DOWNLIGHT GIMBAL 9W 6K WH	240	9	850	6000	60
S9046 WW SN	LED DOWNLIGHT GIMBAL 9W 3K SN	240	9	800	3000	60
S9046 DL SN	LED DOWNLIGHT GIMBAL 9W 6K	240	9	850	6000	60

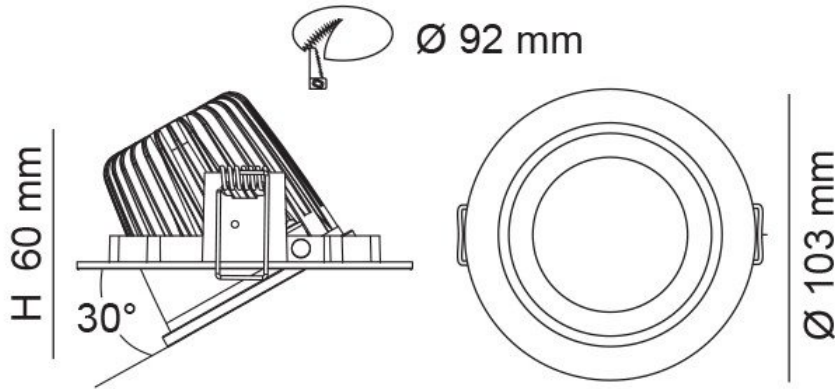
Technical Specification

Model No.	Dimmable	CRI	Body Colour	Dim (mm)
S9046 WW WH	YES	80	WHITE	103(W) x 60(H)
S9046 DL WH	YES	80	WHITE	103(W) x 60(H)
S9046 WW SN	YES	80	SATIN NICKEL	103(W) x 60(H)
S9046 DL SN	YES	80	SATIN NICKEL	103(W) x 60(H)

Due to continued product and technology enhancements, data sourced from sal.net.au shall not form part of any contract and or technical performance guarantee unless expressly confirmed in writing by SAL at the time of order. Products are sold in accordance with [SAL Terms and Conditions of sale](#) and all images shown are for illustration purposes only and may vary from the actual colour or finish. Unless specifically stated, all IP ratings nominated for Interior products are from "below the ceiling".

Dimensions

Dimensions





Photometric Data

Unit: cd C0/C180 _____ C90/C270 _____

S9046 WW at 3000K

