



## ECOSTAR II GIMBAL S9146TC2 - 10W

Dimmable gimbal LED downlight, with selectable CCT

### Application

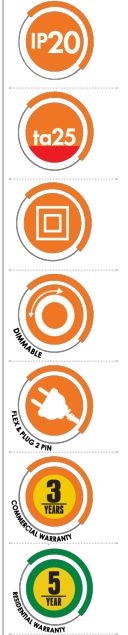
Ideal for any residential or commercial interior space

### Design Specifications

- Durable die-cast aluminium body profile, 30 degree gimbal
- Stylish white powder coat finish
- High output LED optics
- Standard 60 degree beam distribution
- Polycarbonate optical lens
- Remote constant current trailing edge dimmable LED driver, with flex and plug

### Performance

- Dimmable - **YES**
- Dimmer Type - **Trailing edge, optional 1-10V, DALI / DSI**

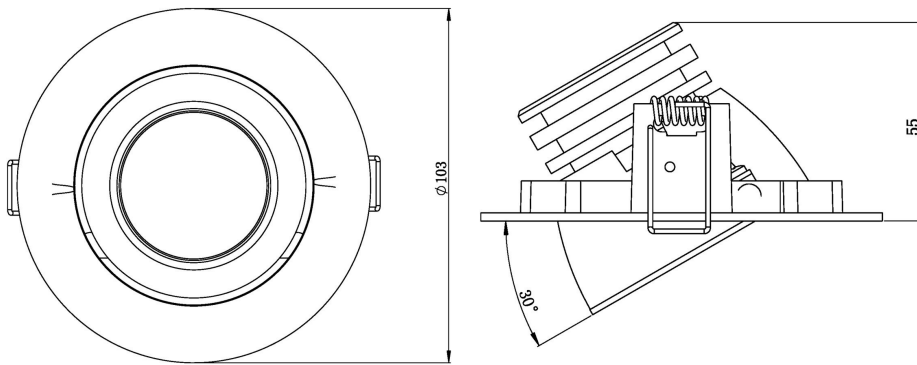


### Technical Specification

Product	Model No.	Input Voltage (V/AC)	Power (W)	Lumens (lm)	CCT (K)	Beam Angle (°)
	S9146TC2WH	240	10	750/900/850	3000/4000/5700	60
Dimmable	CRI	Body Colour	Cut Out (mm)	Diameter (mm)	Dim (mm)	
YES	80	WHITE	92	103	55(H)	

Due to continued product and technology enhancements, data sourced from sal.net.au shall not form part of any contract and or technical performance guarantee unless expressly confirmed in writing by SAL at the time of order. Products are sold in accordance with [SAL Terms and Conditions of sale](#) and all images shown are for illustration purposes only and may vary from the actual colour or finish. Unless specifically stated, all IP ratings nominated for Interior products are from "below the ceiling".

## Dimensions



# THE SFI SYSTEM ELIMINATES LED FLICKERING.

**SIMPLY  
MATCH THE  
ECO GEM SFI  
DOWNLIGHT  
WITH THIS  
SDD400SFI  
DIMMER.**



**DIM with  
FLICKER  
CONTROL**

For related  
products  
please  
scan me

