



ECOLINE XV SL9731TC/DP - 20/40W

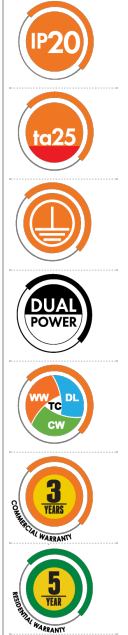
LED narrow diffused batten with selectable CCT and dual power

Application

Conventional linear LED batten products for commercial or residential service spaces

Design Specifications

- 67 mm narrow steel body
- Quality white powder coat finish with robust opal polycarbonate diffuser
- Large terminal block for easy installation
- Selectable CCT 3000K/4000K/5700K
- CRI >80, 120° beam distribution, >120lm/W at 4000K CCT
- Integral selectable dual power driver.



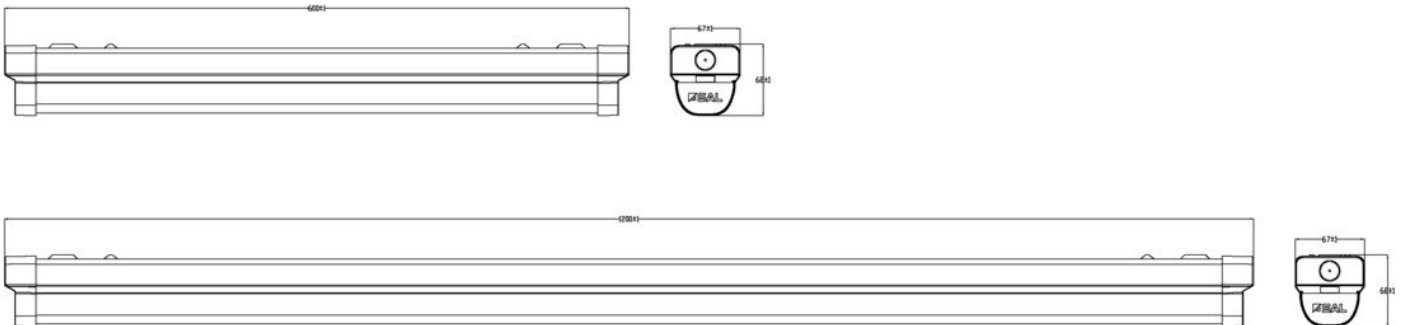
Technical Specification

Product	Model No.	Input Voltage (V/AC)	Power (W)	Multiple Wattage	Lumens (lm)	CCT (K)
	SL9731/40TC/DP	240	40	20/40	4300/4900/4400	3000/4000/5700
CRI	Beam Angle (°)	Dimmable	Dim (mm)	Body Colour		
80	120	NO	1200(L) x 67(W) x 68(H)	WHITE		

NOTE: lumens (lm) shown are at FULL power setting

Due to continued product and technology enhancements, data sourced from sal.net.au shall not form part of any contract and or technical performance guarantee unless expressly confirmed in writing by SAL at the time of order. Products are sold in accordance with SAL Terms and Conditions of sale and all images shown are for illustration purposes only and may vary from the actual colour or finish. Unless specifically stated, all IP ratings nominated for Interior products are from "below the ceiling".

Dimensions



THE NEW ESS106 IS SMALL IN SIZE BUT BIG ON FEATURES.



For more
information
please
scan me

