



## ECOGEM S9041TC - 10W

Dimmable IP44 LED downlight with selectable colour temperature

### Application

Ideal for any residential or commercial interior space

### Design Specifications

- Easy selectable colour temperature with an inbuilt DIP switch, IC - 4 rated
- Durable die-cast aluminium square body profile
- Trim colour choice of white or satin nickel
- Remote constant current trailing edge dimmable LED driver, with flex and plug
- High efficiency SMD LED chips and quality opal polycarbonate diffuser

### Performance

Dimmable - **YES**

Dimmer Type - **Trailing edge, optional 1-10V, DALI / DSI**



### Technical Specification

Model No.	Input Voltage (V/AC)	Power (W)	Lumens (lm)	CCT (K)	Beam Angle (°)	Dimmable
S9041 TC S WH	240	10	800/900/850	3000/4200/5700	90	YES
S9041 TC S SN	240	10	800/900/850	3000/4200/5700	90	YES

### Technical Specification

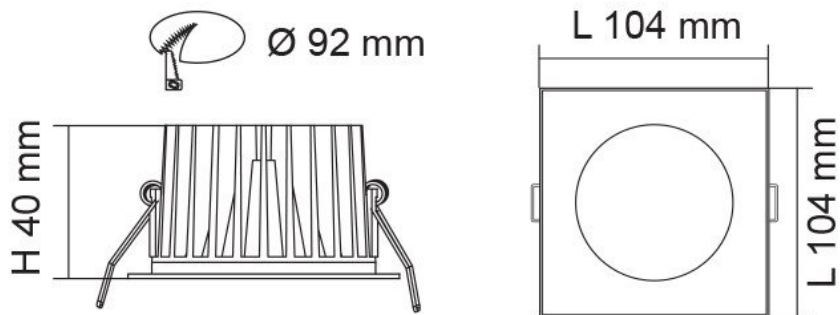
Model No.	CRI	Body Colour	Dim (mm)
S9041 TC S WH	80	WHITE	104(L) x 104(W) x 40(H)
S9041 TC S SN	80	SATIN NICKEL	104(L) x 104(W) x 40(H)

Due to continued product and technology enhancements, data sourced from sal.net.au shall not form part of any contract and or technical performance guarantee unless expressly confirmed in writing by SAL at the time of order. Products are sold in accordance with [SAL Terms and Conditions of sale](#) and all images shown are for illustration purposes only and may vary from the actual colour or finish. Unless specifically stated, all IP ratings nominated for Interior products are from "below the ceiling".

## Dimensions



## Dimensions

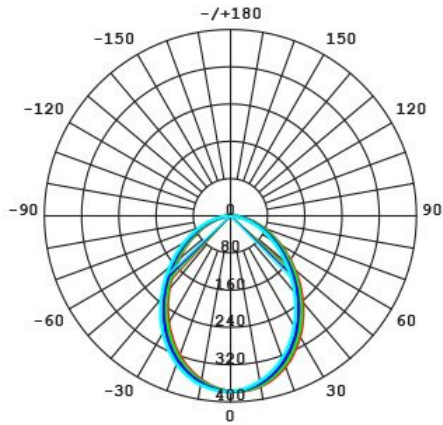




## Photometric Data

Unit: cd C0/C180 — C30/C210 —  
cd C60/C240 — C90/C270 —

### S9041 TC S at 3000K



## Product Images

