



COOPER SE7082TC - 16W

IP65, 16 watt LED commercial bunker luminaire, IK10 rated with selectable CCT

Application

A decorative architectural solution for commercial exteriors

Design Specifications

- Robust die-cast aluminium body, UV stabilised opal polycarbonate diffuser
- Durable black as standard or (optional to order) silver powder coated finish
- Stainless steel allen screws
- High efficiency LED optics
- Integral constant current non-dimmable LED driver
- Product selections compliant to AS/NZS2293
Emergency Lighting & Exit Signs are located in the [exterior emergency section](#)



Performance



- In Built Sensor - **OPTIONAL**
- Sensor Type - **MICROWAVE**

Technical Specification

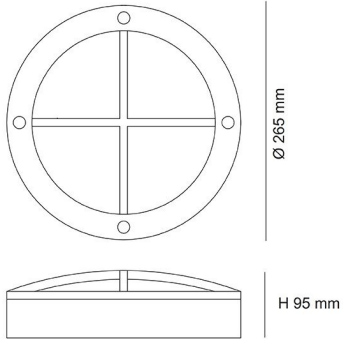
Product	Model No.	Input Voltage (V/AC)	Power (W)	Lumens (lm)	CCT (K)	CRI
	SE7082TC/BK	240	16	1100/1150/1100	3000/4000/5700	80
	SE7082TC/SL	240	16	1100/1150/1100	3000/4000/5700	80

Dim (mm)	Body Colour
295(W) x 95(H)	BLACK
295(W) x 95(H)	SILVER

Due to continued product and technology enhancements, data sourced from sal.net.au shall not form part of any contract and or technical performance guarantee unless expressly confirmed in writing by SAL at the time of order. Products are sold in accordance with [SAL Terms and Conditions of sale](#) and all images shown are for illustration purposes only and may vary from the actual colour or finish. Unless specifically stated, all IP ratings nominated for Interior products are from "below the ceiling".

Dimensions

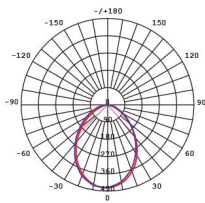
SE7082TC



Photometric Data

Unit: cd C0/C180 — C90/C270 —

SE7082L SL WW at 3000K





Why is the IP rating important? In brief, IP (Ingress Protection) ratings are defined in EN 60529 and simply defines the ability of an electrical product to seal and protect against the intrusion of foreign objects and water.

(I) As the first numeral stands for intrusion of a foreign object, where (P) as the second numeral stands for the penetration of moisture.

As a guide IP20 rated products would be seen in interior spaces with no requirement for protection against the elements, where an IP65 product would be found in an exterior application which required substantial protection against the elements.

Need more information on IP ratings? Check out the SAL web FAQ's or speak to your local SAL team member.

**For more
information
please
scan me**

