



COOPER II SE7181TC - 12W

Decorative 12 watt round profile IP65 architectural LED wall mount luminaire

Application

A decorative architectural solution for residential & commercial interior or exterior spaces

Design Specifications

- Stylish low profile circular design
- Convenient TC selectable colour temperature, 3000K/4000K/5700K
- Durable black powder coated finish
- Integral non-dimmable control gear 12 watt
- Robust die-cast aluminium body profile
- High efficiency SMD LED



Technical Specification

Model No.	Description	Input Voltage (V/AC)	Power (W)	Lumens (lm)	CCT (K)	CRI
SE7181TC	SE7181TC 12W IP65 ROUND BLACK	240	12	900/1100/1000	3000/4000/5700	80

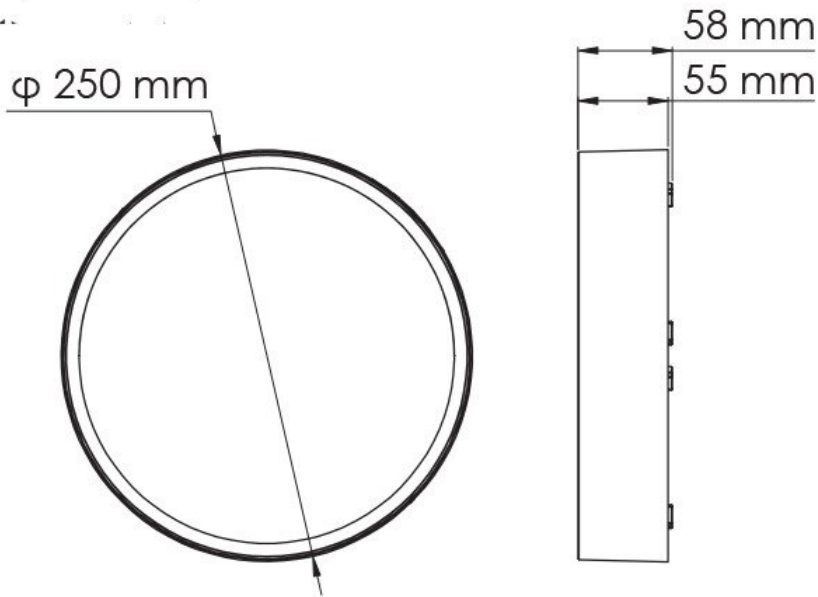
Technical Specification

Model No.	Dim (mm)	Body Colour
SE7181TC	250(W) x 58(H)	BLACK

Optional use off-set mounting legs provided in all packs for installation on uneven wall surfaces

Due to continued product and technology enhancements, data sourced from sal.net.au shall not form part of any contract and or technical performance guarantee unless expressly confirmed in writing by SAL at the time of order. Products are sold in accordance with [SAL Terms and Conditions of sale](#) and all images shown are for illustration purposes only and may vary from the actual colour or finish. Unless specifically stated, all IP ratings nominated for Interior products are from "below the ceiling".

Dimensions



Photometric Data

Unit: cd C0/C180 _____ C90/C270 _____

SE7181TC/BK at 3000K

