



## COOLUM PLUS TC S9067/TC - 6W

6 watt dimmable downlight, UGR<19, with flex and plug termination and selectable colour temperature

### Application

Ideal for residential or commercial interior applications

### Design Specifications

- 6 watt integral dimmable driver
- A versatile design supplied with flex and plug fitted for easy installation
- High efficiency SMD LED chips, multi-faceted optical system
- CRI > 80, selectable CCT 3000 / 4000 / 5700K, beam distribution 60 degree, UGR <19
- Polyamide trim and body colour white or black
- IC - 4 rated

### Performance

Dimmable - **YES**



### Technical Specification

Model No.	Input Voltage (V/AC)	Power (W)	Lumens (lm)	CCT (K)	Beam Angle (°)	Dimmable
S9067TC/WW/WH	240	6	470	3000/4000/5700	60	YES
S9067TC/WW/BK	240	6	400	3000/4000/5700	60	YES

### Technical Specification

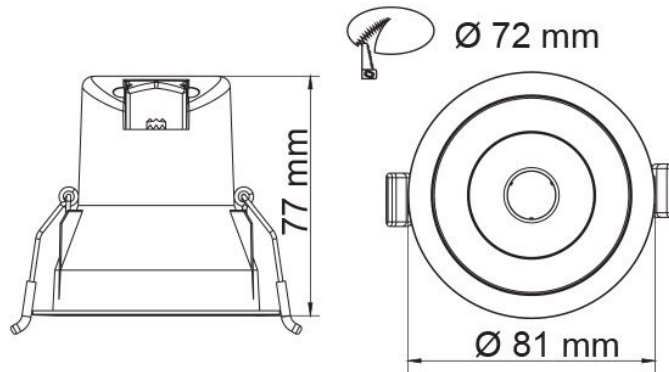
Model No.	Diameter (mm)	Dim (mm)
S9067TC/WW/WH	81	81(W) x 77(H)
S9067TC/WW/BK	81	81(W) x 77(H)

Due to continued product and technology enhancements, data sourced from sal.net.au shall not form part of any contract and or technical performance guarantee unless expressly confirmed in writing by SAL at the time of order. Products are sold in accordance with [SAL Terms and Conditions of sale](#) and all images shown are for illustration purposes only and may vary from the actual colour or finish. Unless specifically stated, all IP ratings nominated for Interior products are from "below the ceiling".

## Dimensions



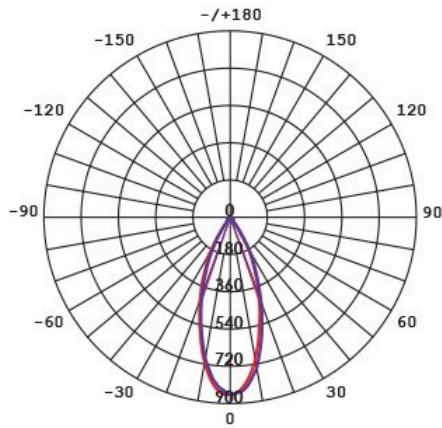
## Dimensions



## Photometric Data

Unit: cd C0/C180 \_\_\_\_\_ C90/C270 \_\_\_\_\_

### S9067WW at 3000K



## Product Images



# BENTO S9691 SQUARE PROFILE IP44 LED DOWNLIGHT.

Easy to install with a round



S9691/110



S9691/135



S9691/160



For more  
information  
please  
scan me

