



COOLUM PLUS S9068/TC - 9W

9 watt dimmable downlight, UGR<19, with flex and plug termination and selectable colour temperature

Application

Perfect for residential or commercial applications

Design Specifications

- 9 watt integral dimmable driver
- A versatile design supplied with flex and plug fitted for easy installation
- High efficiency SMD LED chips, multi-faceted optical system
- CRI > 80, selectable CCT 3000 / 4000 / 5700K, beam distribution 60 degree, UGR<19
- Polyamide trim and body form in white or black
- IC - 4 rated

Performance

Dimmable - **YES**



-  IP44
-  tau25
-  □
-  DIMMABLE
-  FLEX & PLUG 2 PIN
-  3 YEARS COMMERCIAL WARRANTY
-  5 YEAR RESIDENTIAL WARRANTY
-  WARM WHITE 3000K
-  COOL WHITE 4000K
-  DAYLIGHT 5700K

Technical Specification

Model No.	Input Voltage (V/AC)	Power (W)	Lumens (lm)	CCT (K)	Beam Angle (°)	Dimmable
S9068TC/WH	240	9	700/780/750	3000/4000/5700	60	YES

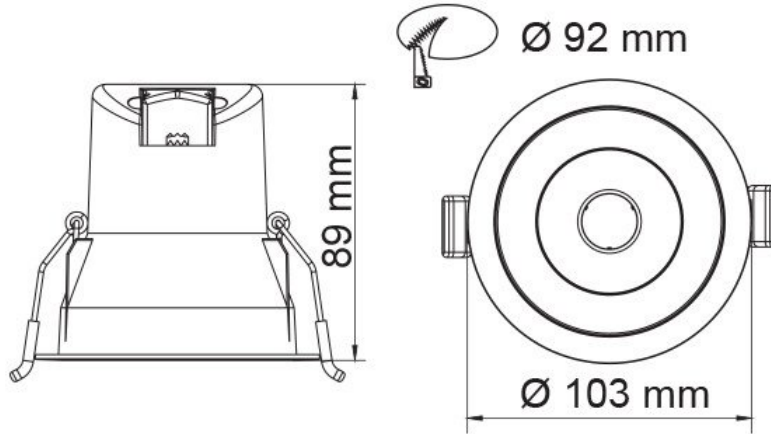
Technical Specification

Model No.	Cut Out (mm)	Diameter (mm)	Dim (mm)
S9068TC/WH	92	103	89(H)

Due to continued product and technology enhancements, data sourced from sal.net.au shall not form part of any contract and or technical performance guarantee unless expressly confirmed in writing by SAL at the time of order. Products are sold in accordance with SAL Terms and Conditions of sale and all images shown are for illustration purposes only and may vary from the actual colour or finish. Unless specifically stated, all IP ratings nominated for Interior products are from "below the ceiling".

Dimensions

Dimensions



Product Images

